



Features:

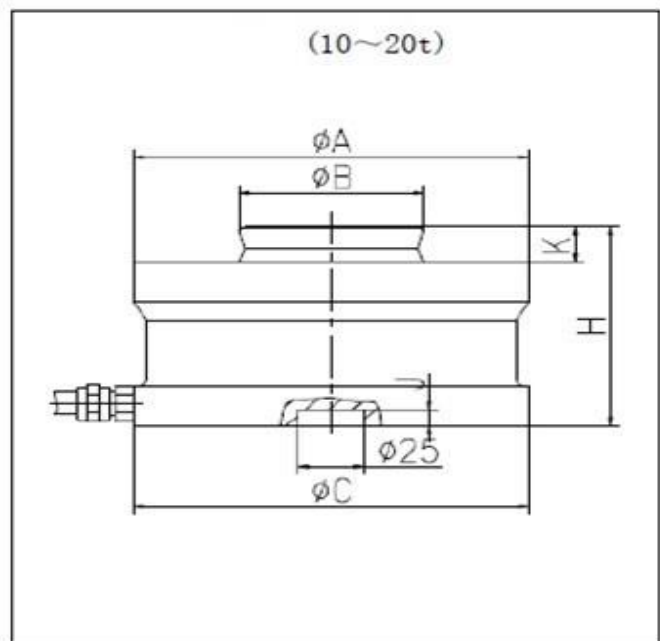
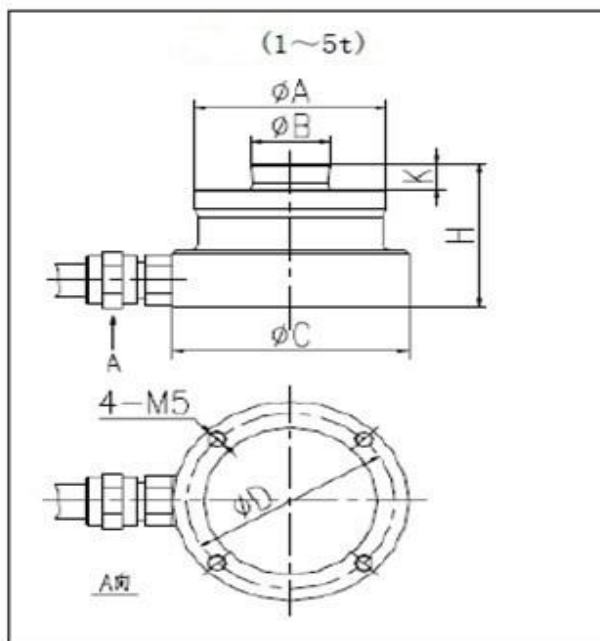
Alloy steel or stainless steel materials.

Reasonable structure, installation components is stable and reliable.

Capacity range : 1-100t

Outlet with standard way for four wires, optional six wires.

Electrical connection and Dimensions:



CAP (t)	dimensions(mm)					
	A	B	C	D	H	K
1~2	49	18.5	60	53	43	7.5
5	49	18.5	60	53	43	7.5
10	75	30	75	/	50	6.5
20	75	30	75	/	50	6.5

QY Electronic Co Ltd

Address: No. 1032, Xinghan Road, Hantai District, Hanzhong, Shaanxi, China (Mainland)

Website: www.qysensor.com

E-mail: info@qysensor.com

TEL: +86-0916-2257989

Zip: 723000

Specification

Rated load	t	1~5		10~20		
Rated output	mv/v	2.0±0.01		2.8±0.01		
Accuracy grade	%FS	±0.03	±0.05	±0.03	±0.05	±0.1
Linearity error	%FS	±0.03	±0.05	±0.03	±0.05	±0.1
Hysteresis error	%FS	±0.03	±0.05	±0.03	±0.05	±0.1
Repeatability error	%FS	±0.02	±0.03	±0.02	±0.03	±0.05
Creep error	%FS/30min	±0.03	±0.05	±0.03	±0.05	±0.05
Temperature coefficient of ZERO	%FS/10°C	±0.02		±0.03		±0.05
Temperature coefficient of SPAN	%FS/10°C	±0.02		±0.03		±0.05
Zero unbalance	%FS	±1				
Safe overload	%FS	150				
Output resistance	Ω	700±10				
Input resistance	Ω	750±30				
Insulation resistance	MΩ	5000 (50VDC)				
Excitation voltage	V	10(DC)				
Maximum excitation	V	15(DC)				
Compensation temperature	°C	-10~+40				
Operating temperature	°C	-10~+60				
Protection	/	IP67				
Mode of connection	4-core 12 meters cable Excitation+ red; Signal+ green ; Excitation- black ; Signal- white.					

QY Electronic Co Ltd

Address: No. 1032, Xinghan Road, Hantai District, Hanzhong, Shaanxi, China (Mainland)

Website: www.qysensor.com

E-mail: info@qysensor.com

TEL: +86-0916-2257989

Zip: 723000