

QL-12F load cells are available in the capacities from 5kg to 300kg.

Alloy aluminum construction with parallel beam type.

Silicon adhesive sealed, surface anodized and anti-corrosion.

Integral structure and easy installation.

Suitable for electronic counting scales, platform scales, electronic balance and other electronic weighing devices.



### Features:

Capacity : 5kg to 300kg

Defend grade:IP65

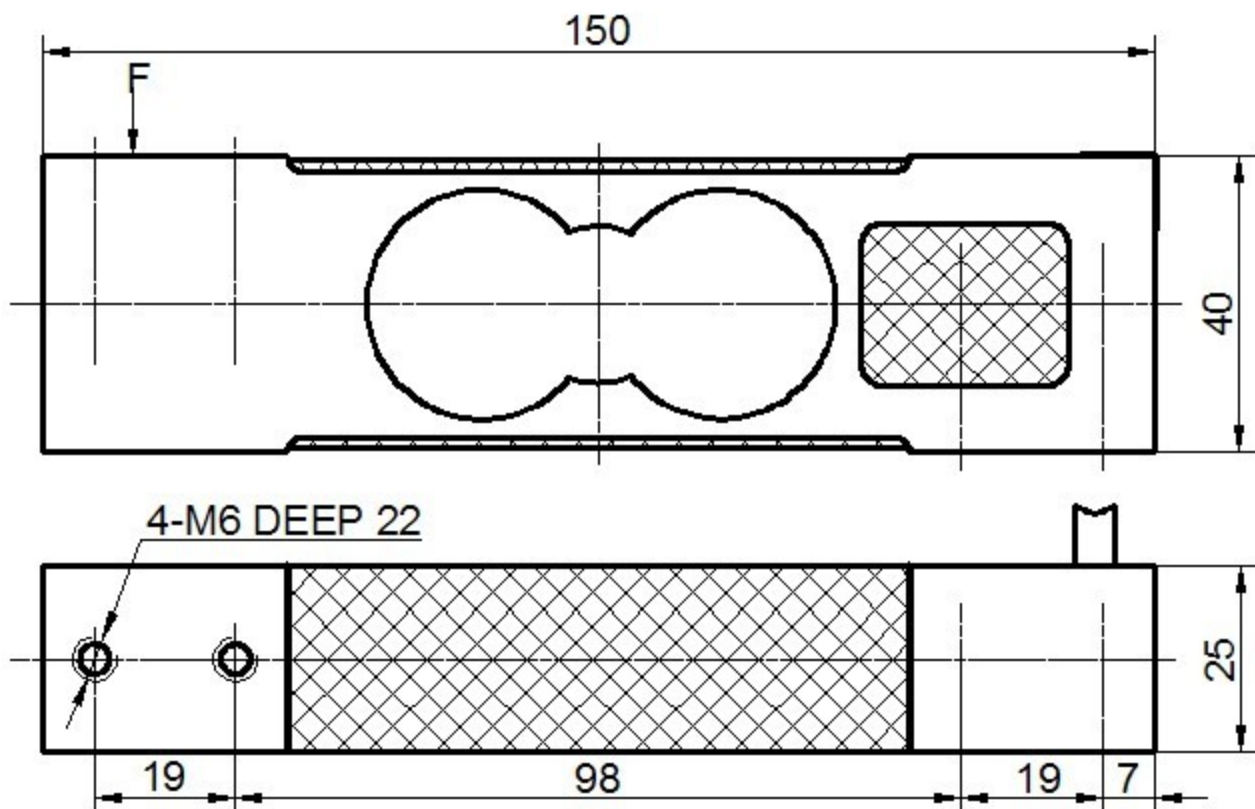
High accuracy.

Alloy aluminum parallel beam

Max. platform size:200x200mm

Integral structure, reliable performance, and easy installation

### Electrical connection and Dimensions:



## QY Electronic Co Ltd

Address: No. 1032, Xinghan Road, Hantai District, Hanzhong, Shaanxi, China (Mainland)

Website: [www.qysensor.com](http://www.qysensor.com)

E-mail: [info@qysensor.com](mailto:info@qysensor.com)

TEL: +86-(0)916-2257989

Zip: 723000

**Technical Specifications**

<b>Specifications:</b>		
capacity	kg	5,10,50,100,200,300
safe overload	%FS	120
ultimate overload	%FS	150
rated output	mV/V	2.0 ± 0.2
excitation voltage	Vdc	9 ~ 12
combined error	%FS	± 0.02
zero unbalance	%FS	± 2
non-linearity	%FS	± 0.02
hysteresis	%FS	± 0.02
repeatability	%FS	± 0.01
creep	%FS/30min	± 0.02
input resistance	Ω	406 ± 10
output resistance	Ω	350 ± 3
insulation resistance	M Ω	≥ 5000 @ 50 Vdc
operating temperature range	°C	-20 ~ +60
compensated temperature range	°C	-10 ~ +40
temperature coefficient of SPAN	%FS/10°C	± 0.02
temperature coefficient of ZERO	%FS/10°C	± 0.03

**Electrical connection:**

Excitation+ red    Excitation- black    Signal+ green    Signal- white  
 Four-core shielded cable with polyethylene. Cable is not connected with elastomer.  
 Cable length: 3 m  
 Cable diameter : 3 ±0.2 mm  
 The cable length could be chose by customer's application.