

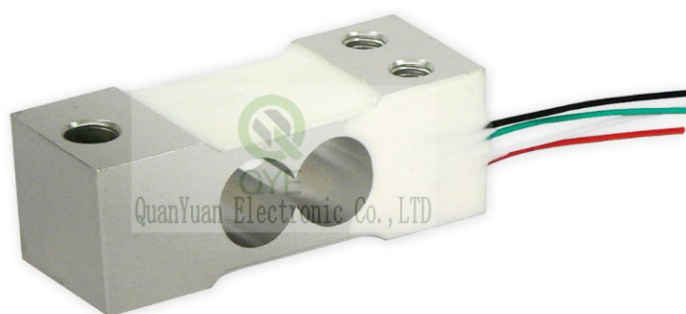
QL-12G load cells are available in the capacities from 5kg to 100kg.

Alloy aluminum construction with parallel beam type.

Silicon adhesive sealed, surface anodized and anti-corrosion.

Integral structure and easy installation.

Suitable for electronic counting scales, platform scales, electronic balance and other electronic weighing devices.



### Features:

Capacity : 5kg to 100kg

Defend grade:IP65

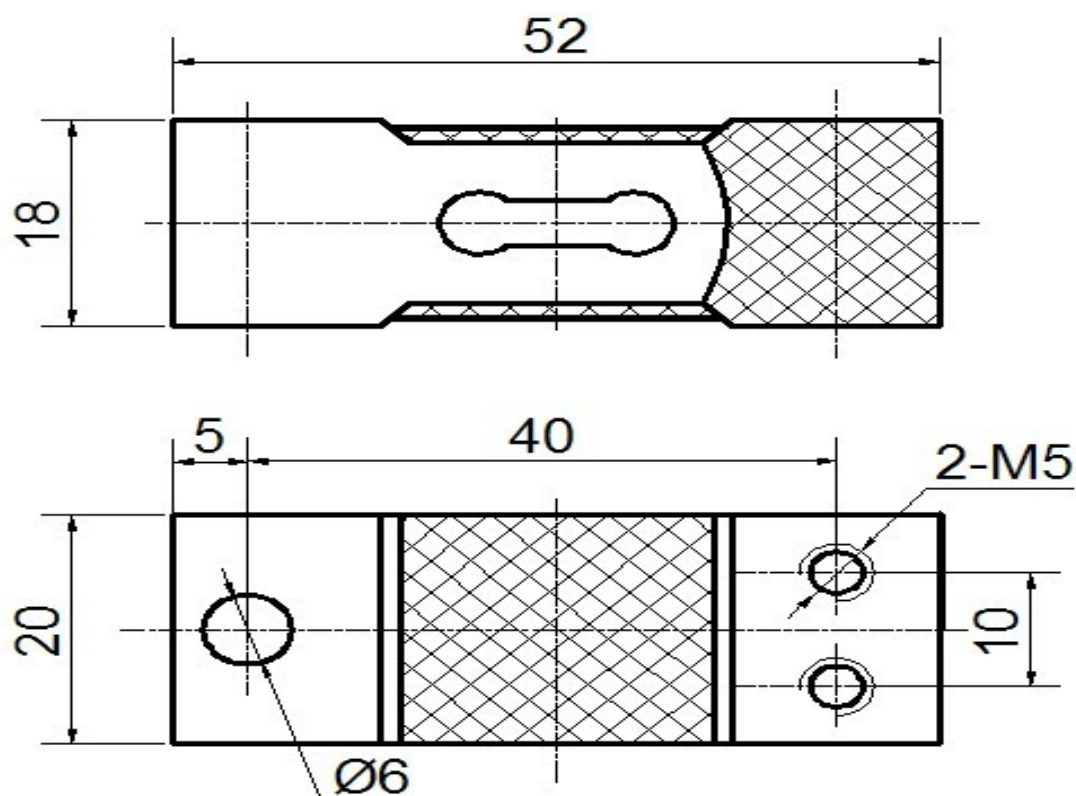
High accuracy.

Alloy aluminum parallel beam

Max. platform size:200x200mm

Integral structure, reliable performance, and easy installation

### Electrical connection and Dimensions:



## QY Electronic Co Ltd

Address: No. 1032, Xinghan Road, Hantai District, Hanzhong, Shaanxi, China (Mainland)

Website: [www.qysensor.com](http://www.qysensor.com)

E-mail: [info@qysensor.com](mailto:info@qysensor.com)

TEL: +86-(0)916-2257989

Zip: 723000

**Technical Specifications**

| <b>Specifications:</b>          |                           |                              |
|---------------------------------|---------------------------|------------------------------|
| capacity                        | kg                        | 5,20,50,100                  |
| safe overload                   | %FS                       | 120                          |
| ultimate overload               | %FS                       | 150                          |
| rated output                    | mV/V                      | $2.0 \pm 0.2$                |
| excitation voltage              | Vdc                       | 9 ~ 12                       |
| combined error                  | %FS                       | $\pm 0.02$                   |
| zero unbalance                  | %FS                       | $\pm 2$                      |
| non-linearity                   | %FS                       | $\pm 0.02$                   |
| hysteresis                      | %FS                       | $\pm 0.02$                   |
| repeatability                   | %FS                       | $\pm 0.01$                   |
| creep                           | %FS/30min                 | $\pm 0.02$                   |
| input resistance                | $\Omega$                  | $406 \pm 10$                 |
| output resistance               | $\Omega$                  | $350 \pm 3$                  |
| insulation resistance           | M $\Omega$                | $\geq 5000 @ 50 \text{ Vdc}$ |
| operating temperature range     | $^{\circ}\text{C}$        | -20 ~ +60                    |
| compensated temperature range   | $^{\circ}\text{C}$        | -10 ~ +40                    |
| temperature coefficient of SPAN | %FS/10 $^{\circ}\text{C}$ | $\pm 0.02$                   |
| temperature coefficient of ZERO | %FS/10 $^{\circ}\text{C}$ | $\pm 0.03$                   |

**Electrical connection:**

Excitation+ red    Excitation- black    Signal+ green    Signal- white

Four-core shielded cable with polyethylene. Cable is not connected with elastomer.

Cable length: 1 m

Cable diameter :  $0.8 \pm 0.2$  mm

The cable length could be chose by customer's application.