

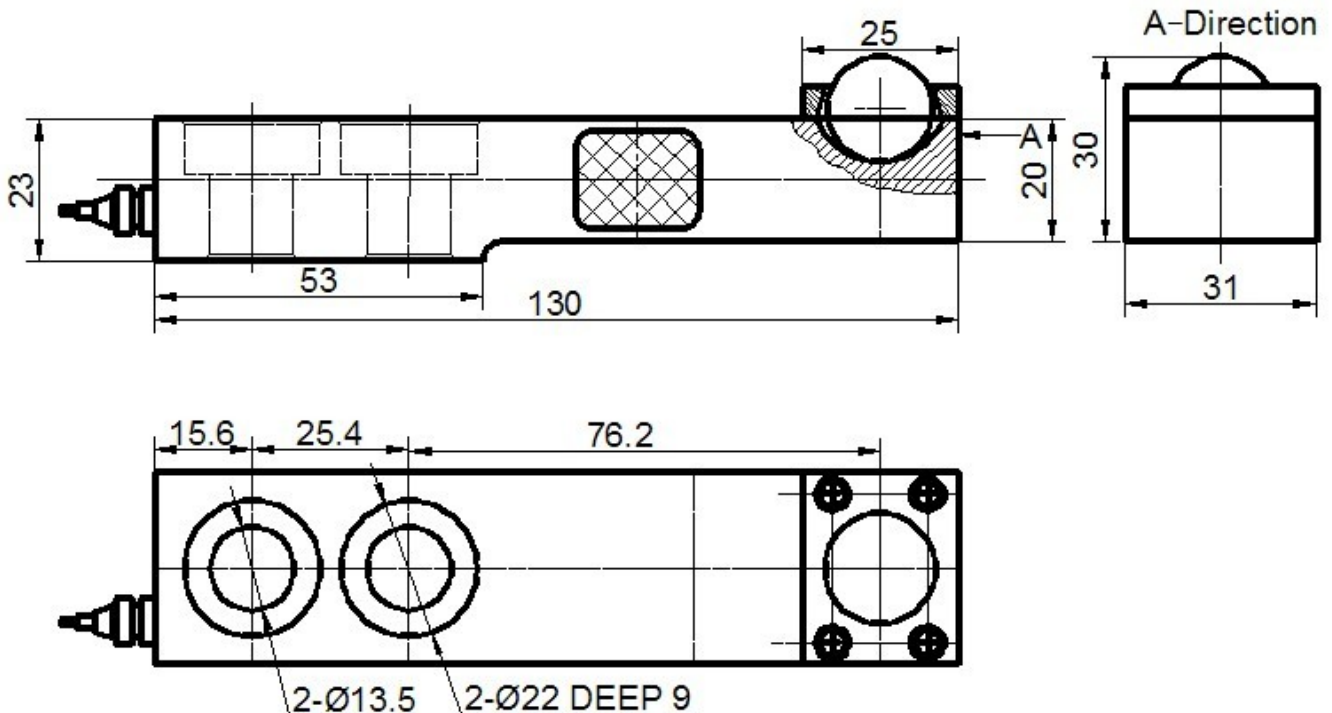
QH-21F load cells are available in the capacities from 0.5t to 2t.  
Alloy steel & stainless steel construction with single shear beam type.  
Silicon adhesive sealed, waterproof, anti-corrosion and suitable for all kinds of environment.  
Integral structure and easy installation.  
Suitable for electronic platform scales, truck scale, floor scale, hopper scale and other electronic weighing devices.



### Features:

- Capacity : 0.5t to 2t
- Defend grade: IP66
- High accuracy.
- Alloy steel & stainless steel single shear beam
- Low profile and nice exterior

### Electrical connection and Dimensions:



**Technical Specifications**

<b>Specifications:</b>		
Capacity	t	0.5, 1, 1.5, 2
Safe overload	%FS	150
Ultimate overload	%FS	200
Rated output	mV/V	2.0 ± 0.003
Excitation voltage	Vdc	9 ~ 12
Combined error	%FS	±0.03
Zero unbalance	%FS	± 1
Non-linearity	%FS	± 0.03
Hysteresis	%FS	± 0.03
Repeatability	%FS	± 0.02
Creep	%FS/30min	± 0.025
Input resistance	Ω	350 ± 5
Output resistance	Ω	350 ± 3
Insulation resistance	M Ω	≥ 5000 @ 50 Vdc
Operating temperature range	°C	-20 ~ +55
Compensated temperature range	°C	-10 ~ +40
Temperature coefficient of SPAN	%FS/10°C	± 0.02
Temperature coefficient of ZERO	%FS/10°C	± 0.03

**Electrical connection:**

- Excitation+ red    Excitation- black    Signal+ green    Signal- white
- Four-core shielded cable with polyethylene.
- Cable diameter : ϕ 5mm
- Cable length: 3 m

The cable length could be chose by customer's application.

**QY Electronic Co Ltd**

Address: No. 1032, Xinghan Road, Hantai District, Hanzhong, Shaanxi, China (Mainland)

Website: [www.qysensor.com](http://www.qysensor.com)

E-mail: [info@qysensor.com](mailto:info@qysensor.com)

TEL: +86-(0)916-2257989

Zip: 723000