

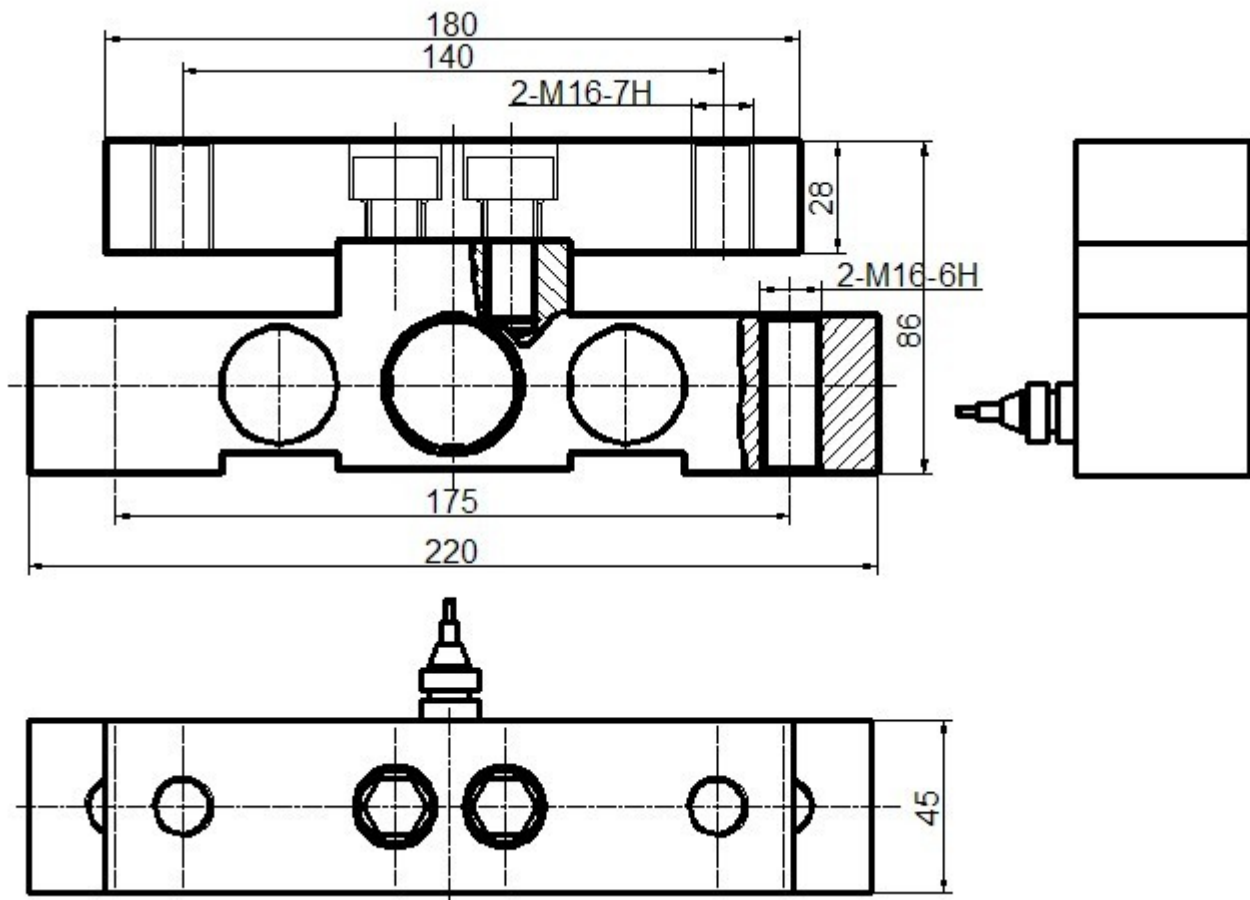
QH-43B load cells are available in the capacities from 3t to 5t,
Alloy steel construction with double shear beam type,
Silicon adhesive sealed inside, waterproof and anti-corrosion, suitable for multiform environments
Integral structure and easy installation.
Suitable for electronic truck scales, railway scales and other electronic weighing devices.

Features:

Capacity: 3t to 5t
Defend grade: IP66 & IP68
High accuracy.
Alloy steel construction
Integral structure, reliable performance, and easy installation.



Electrical connection and Dimensions:



QY Electronic Co Ltd

Address: No. 1032, Xinghan Road, Hantai District, Hanzhong, Shaanxi, China (Mainland)

Website: www.qysensor.com

E-mail: info@qysensor.com

TEL: +86-(0)916-2257989

Zip: 723000

Technical Specifications

Specifications:		
Capacity	t	3,4,5
Safe overload	%FS	150
Ultimate overload	%FS	200
Rated output	mV/V	2.0 ± 0.02
Excitation voltage	Vdc	10 ~ 15
Combined error	%FS	± 0.05
Zero unbalance	%FS	± 1
Non-linearity	%FS	± 0.05
Hysteresis	%FS	± 0.05
Repeatability	%FS	± 0.03
Creep	%FS/30min	± 0.03
Input resistance	Ω	700 ± 10
Output resistance	Ω	700 ± 5
Insulation resistance	M Ω	≥ 5000 @ 50 Vdc
Operating temperature range	°C	-20 ~ +55
Compensated temperature range	°C	-10 ~ +40
Temperature coefficient of SPAN	%FS/10°C	± 0.03
Temperature coefficient of ZERO	%FS/10°C	± 0.05

Electrical connection:

- Excitation+ red Excitation- black Signal+ green Signal- white
- Four-core shielded cable with polyethylene.
- Cable diameter : \varnothing 5mm
- Cable length: 3m

The cable length could be chose by customer's application.