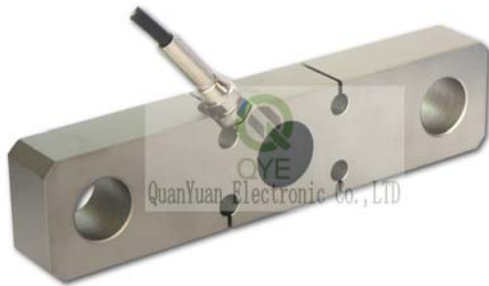


QH-33 load cells are available in the capacities from 10t to 30t
Alloy steel material with S beam style. Silicon adhesive sealed inside, waterproof, anti-corrosion and suitable for all kinds of environment.

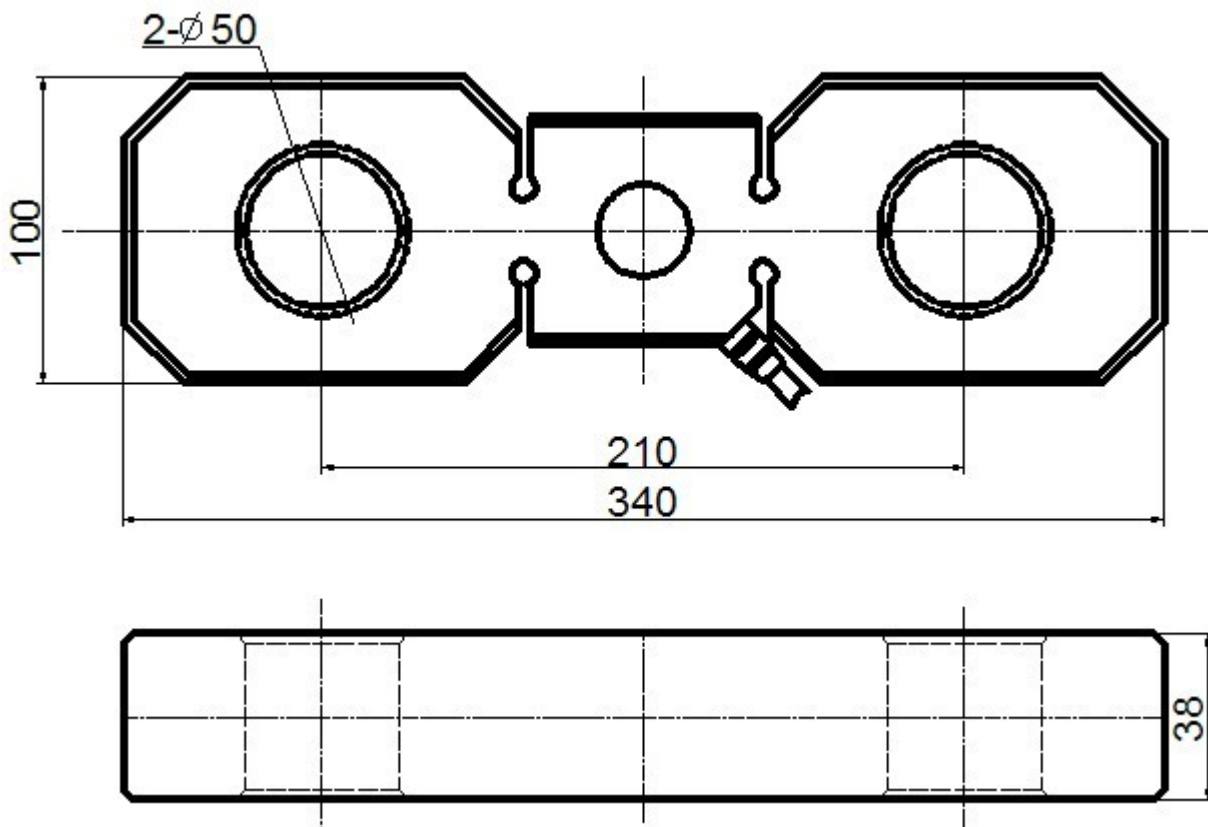
Plate ring type structure design. Tension and/or compression loading.
Suitable for electronic crane scale and other electronic weighing devices.



Features:

Capacity : 10t to 30t
Defend grade: IP67
High accuracy, reliable performance;
Plate ring type structure design,
and easy installation.

Electrical connection and Dimensions:



Technical Specifications

Specifications:		
capacity	t	10 ~30
safe overload	%FS	150
ultimate overload	%FS	200
rated output	mV/V	1.5 ± 0.01
excitation voltage	Vdc	9~ 12
combined error	%FS	± 0.03
zero balance	%FS	± 1.0
non-linearity	%FS	± 0.03
hysteresis	%FS	± 0.03
repeatability	%FS	± 0.02
creep	%FS/30min	± 0.03
input resistance	Ω	350 ± 10
output resistance	Ω	350 ± 3
insulation resistance	M Ω	≥ 5000 @ 100 Vdc
operating temperature range	°C	-20 ~ +60
compensated temperature range	°C	-10 ~ +40
temperature coefficient of SPAN	%FS/10°C	± 0.03
temperature coefficient of ZERO	%FS/10°C	± 0.03

Electrical connection:

Excitation+ red Excitation- black Signal+ green Signal- white

Four-core shielded cable with polyethylene. Cable is not connected with elastomer.

Cable length: 3 m

Cable diameter : 5 mm

The cable length could be chose by customer's application.