

QH-31 load cells are available in the capacities from 20kg to 5000kg.

Alloy steel material with S beam style.

Silicon adhesive sealed inside. It is waterproof and anti-corrosion. So be suitable for all kinds of environment.

Tension and/or compression load.

Be suitable for electronic crane scale, hopper scale, mechanical conversion scale and other electronic weighing devices.



### Features:

Capacity : 20 kg to 5000 kg

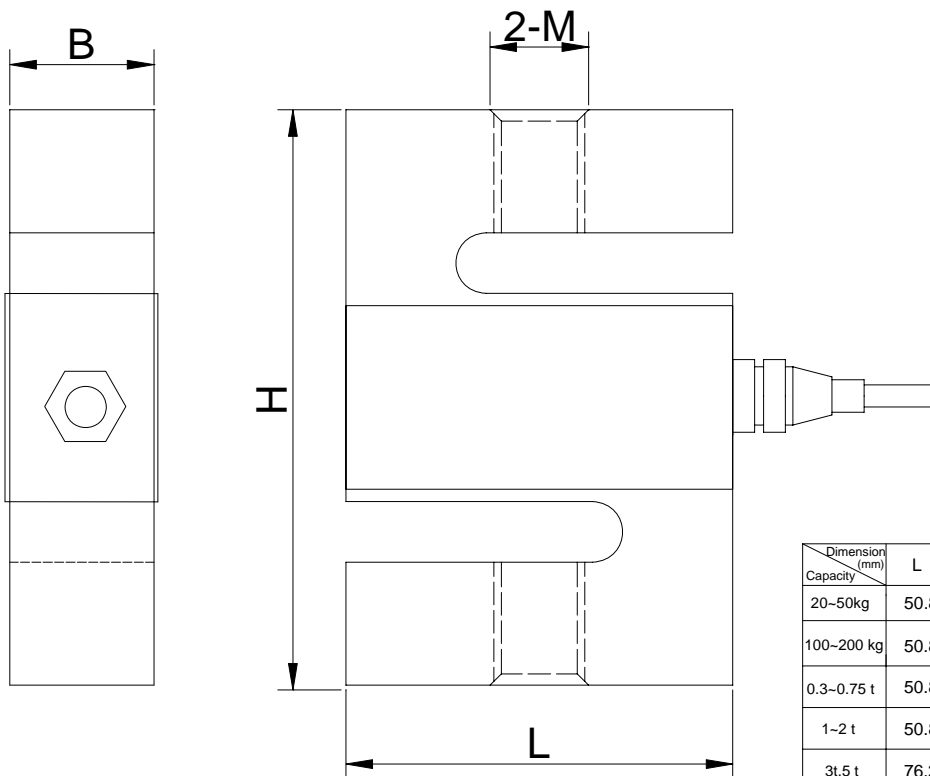
Defend grade: IP66 & IP68

High accuracy. Reliable performance.

Alloy steel or stainless steel.

Integral installation. Low profile.

### Electrical connection and Dimensions:



Capacity	Dimension (mm)	L	H	B	M
20-50kg		50.8	76	13	M10x1.5
100-200 kg		50.8	76	19	M10x1.5
0.3-0.75 t		50.8	76	19	M12x1.75
1-2 t		50.8	76	25.4	M12x1.75
3t,5 t		76.2	100	32	M20x1.5

**Technical Specifications**

<b>Specifications:</b>			
capacity	Kg	20,50,100,200,500,750,1000,2000,5000	
safe overload	%FS	150	
ultimate overload	%FS	200	
rated output	mV/V	2.0 ± 0.004	
excitation voltage	Vdc	9 ~ 12	
combined error	%FS	± 0.03	± 0.02
zero unbalance	%FS	± 1.0	
non-linearity	%FS	± 0.03	± 0.02
hysteresis	%FS	± 0.03	± 0.02
repeatability	%FS	± 0.02	± 0.02
creep	%FS/30min	± 0.03	± 0.02
input resistance	Ω	390± 20	580± 20
output resistance	Ω	351± 4	501± 4
insulation resistance	M Ω	≥ 5000 @ 100 Vdc	
operating temperature range	°C	-20 ~ +55	
compensated temperature range	°C	-10 ~ +40	
temperature coefficient of SPAN	%FS/10°C	± 0.02	±0.02
temperature coefficient of ZERO	%FS/10°C	± 0.03	±0.02

**Electrical connection:**

Excitation+ green      Excitation- yellow      Signal+ white      Signal- red  
 Four-core shielded cable with polyethylene. Cable is not connected with elastomer.  
 Cable length: 3 m  
 Cable diameter : 5 mm  
 The cable length could be chose by customer's application.