

QH-31B load cells are available in the capacities from 500 kg to 10000 kg S beam style. Tension and/or compression loading.

Alloy steel or stainless steel, sealed welding, waterproof, anti-corrosion and suitable for all kinds of environment.

Integral structure and easy installation.

Suitable for crane scale, mechanical conversion scale, hopper scale and other electronic weighing devices.



Features:

Capacity : 500 kg to 10000 kg

Defend grade: IP67 & 68

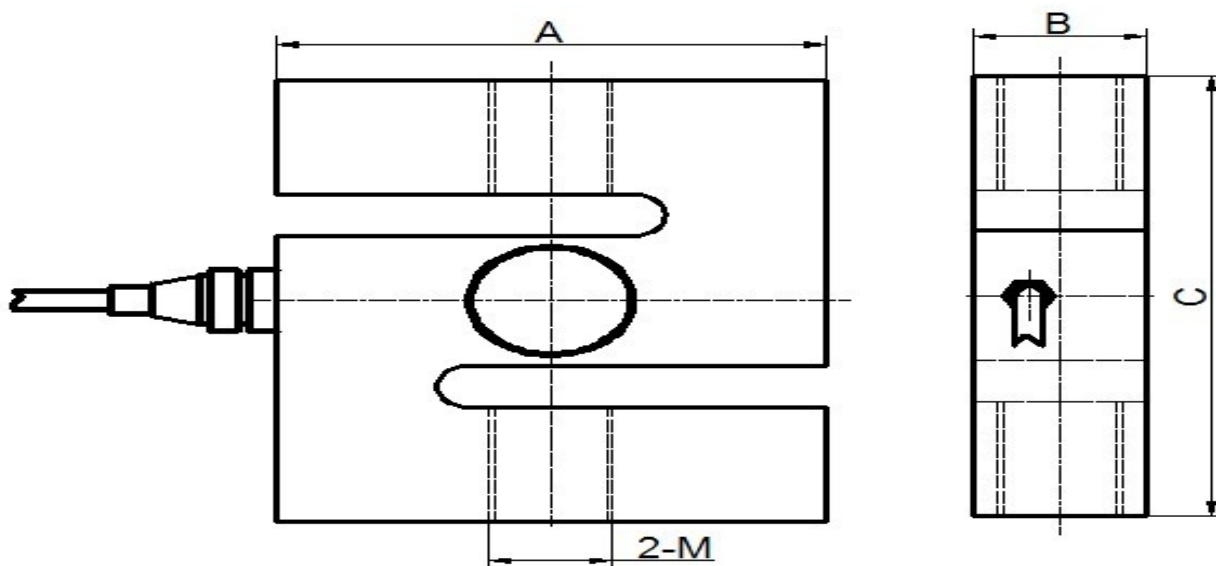
High accuracy.

Alloy steel or stainless steel.

Integral installation, Low profile.

The cable length could be chose by customer's application

Electrical connection and Dimensions:



Cap (kg)	A	B	C	M
500-1000	50.8	28.6	76.2	M12x1.75
2000	88.7	28.6	108	M20x1.5
5000	88.7	31.6	120.7	M24x2
10000	125	50.8	178	M30x2

QY Electronic Co Ltd

Address: No. 1032, Xinghan Road, Hantai District, Hanzhong, Shaanxi, China (Mainland)

Website: www.qysensor.com

E-mail: info@qysensor.com

TEL: +86-(0)916-2257989

Zip: 723000

Technical Specifications

Specifications:		
capacity	Kg	500~10000
safe overload	%FS	150
ultimate overload	%FS	200
rated output	mV/V	2.0 ± 0.003
excitation voltage	Vdc	9~ 12
combined error	%FS	± 0.03
zero unbalance	%FS	±1
non-linearity	%FS	± 0.03
hysteresis	%FS	± 0.03
repeatability	%FS	± 0.02
creep	%FS/30min	± 0.03
input resistance	Ω	400 ± 20
output resistance	Ω	350 ± 5
insulation resistance	M Ω	≥ 5000 @ 100 Vdc
operating temperature range	°C	-35 ~ +65
compensated temperature range	°C	-10 ~ +40
temperature coefficient of SPAN	%FS/10°C	± 0.03
temperature coefficient of ZERO	%FS/10°C	± 0.03

Electrical connection:

Excitation+ red Excitation- black Signal+ green Signal- white

Four-core shielded cable with polyethylene. Cable is not connected with elastomer.

Cable length: 3 m

Cable diameter :: ∅5 mm

The cable length could be chose by customer's application.