

QH-41C load cells are available in the capacities from 5t to 10t,  
Alloy steel or stainless steel construction with double shear beam type.  
Silicon adhesive sealed inside, waterproof, anti-corrosion, suitable for multiform environments.

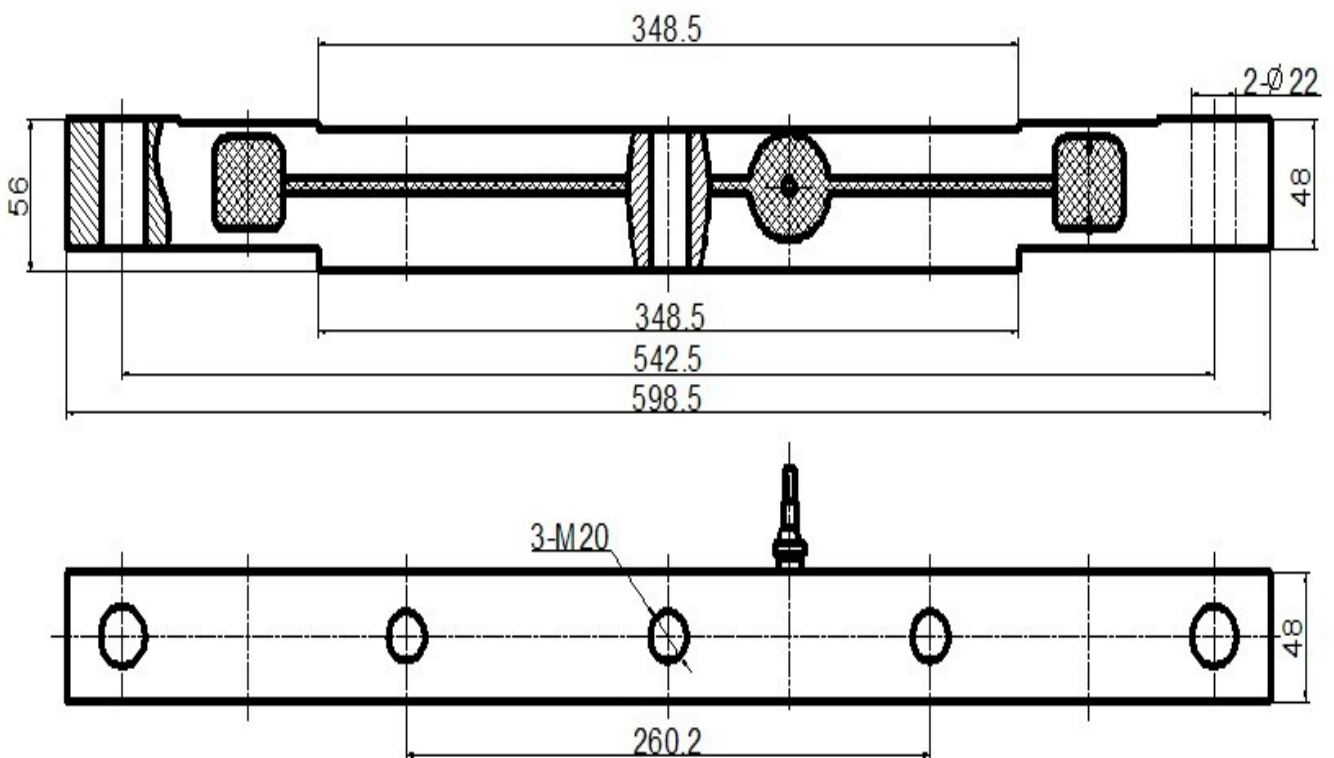
Suitable for truck scales, railway scales, steam lines and other electronic weighing devices.



### Features:

Capacity: 5t to 10t,  
Defend grade: IP66  
High accuracy, reliable performance,  
Integral structure, and easy installation.

### Electrical connection and Dimensions:



## QY Electronic Co Ltd

Address: No. 1032, Xinghan Road, Hantai District, Hanzhong, Shaanxi, China (Mainland)

Website: [www.qysensor.com](http://www.qysensor.com)

TEL: +86-(0)916-2257989

E-mail: [info@qysensor.com](mailto:info@qysensor.com)

Zip: 723000

### Technical Specifications

Specifications:		
capacity	t	5-10
safe overload	%FS	150
ultimate overload	%FS	200
rated output	mV/V	$2.5 \pm 0.008$
excitation voltage	Vdc	9 ~ 12
combined error	%FS	$\pm 0.02$
zero unbalance	%FS	$\pm 1$
non-linearity	%FS	$\pm 0.02$
hysteresis	%FS	$\pm 0.02$
repeatability	%FS	$\pm 0.01$
creep	%FS/30min	$\pm 0.05$
input resistance	$\Omega$	$700 \pm 10$
output resistance	$\Omega$	$700 \pm 5$
insulation resistance	M $\Omega$	$\geq 5000 @ 50 \text{ Vdc}$
operating temperature range	$^{\circ}\text{C}$	-20 ~ +55
compensated temperature range	$^{\circ}\text{C}$	-10 ~ +40
temperature coefficient of SPAN	%FS/ $10^{\circ}\text{C}$	$\pm 0.03$
temperature coefficient of ZERO	%FS/ $10^{\circ}\text{C}$	$\pm 0.05$

### Electrical connection:

Excitation+ red    Excitation- black    Signal+ green    Signal- white

Four-core shielded cable with polyethylene. Cable is not connected with elastomer.

Cable length: 6 m

Cable diameter : 5 mm

The cable length could be chose by customer's application.