

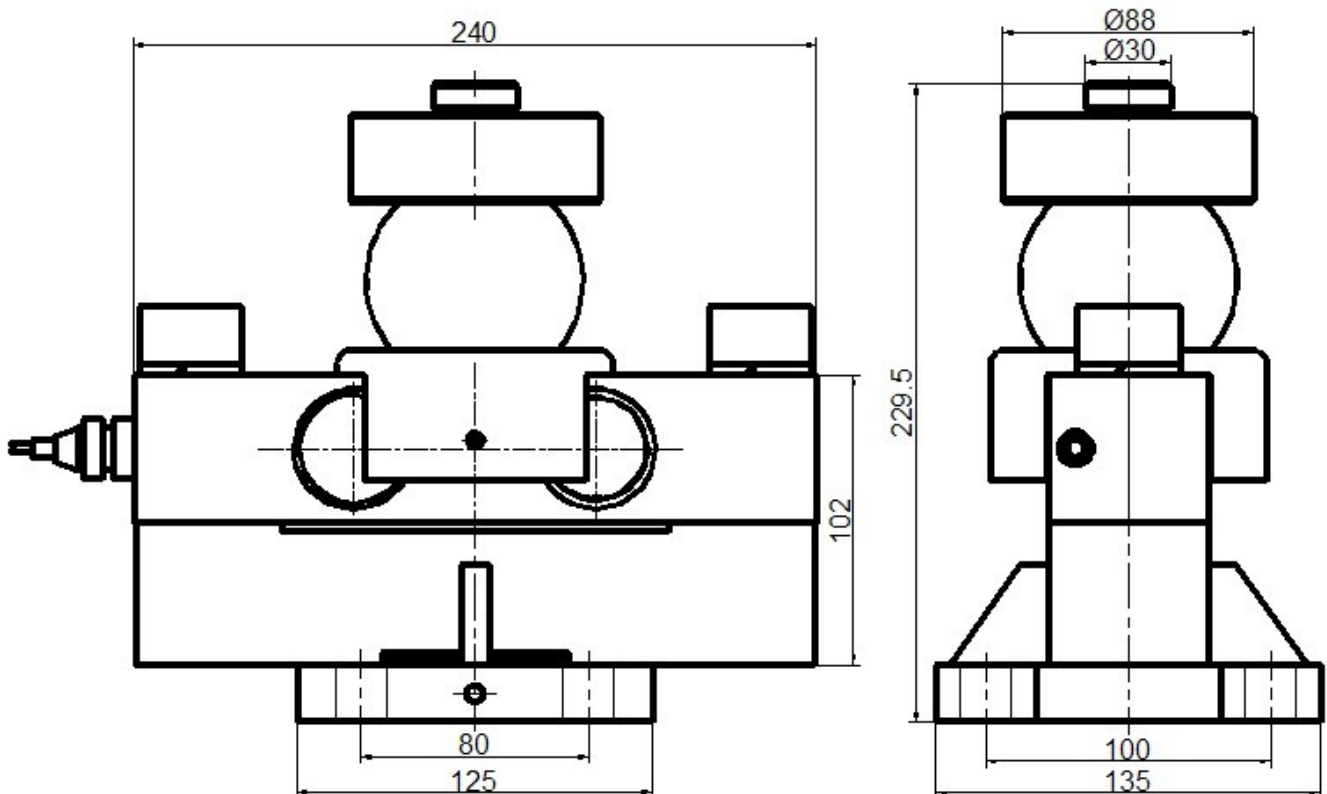
QH-43A load cells are available in the capacities from 10t to 40t.
Alloy steel construction with double shear beam type,
Silicon adhesive sealed inside, welded sealed or adhesive
sealed, waterproof, anti-oil, anti-corrosion, suitable for multiform environments.
Suitable for truck scales, steam lines, weighbridge and other electronic weighing devices.



Features:

- Capacity: 10t to 40t
- Defend grade: IP66 & IP68
- High accuracy, reliable performance.
- Integral structure, and easy installation.

Electrical connection and Dimensions:



QY Electronic Co Ltd

Address: No. 1032, Xinghan Road, Hantai District, Hanzhong, Shaanxi, China (Mainland)

Website: www.qysensor.com

TEL: +86-(0)916-2257989

E-mail: info@qysensor.com

Zip: 723000

Technical Specifications

Specifications:		
capacity	t	10,20,25,30,40
safe overload	%FS	150
ultimate overload	%FS	200
rated output	mV/V	2.0 ± 0.02
excitation voltage	Vdc	9 ~ 12
combined error	%FS	± 0.03
zero unbalance	%FS	± 1
non-linearity	%FS	± 0.03
hysteresis	%FS	± 0.03
repeatability	%FS	± 0.02
creep	%FS/30min	± 0.03
input resistance	Ω	700 ± 10
output resistance	Ω	700 ± 5
insulation resistance	M Ω	$\geq 5000 @ 50 \text{ Vdc}$
operating temperature range	$^{\circ}\text{C}$	-20 ~ +55
compensated temperature range	$^{\circ}\text{C}$	-10 ~ +40
temperature coefficient of SPAN	%FS/ 10°C	± 0.02
temperature coefficient of ZERO	%FS/ 10°C	± 0.03

Electrical connection:

Excitation+ red Excitation- black Signal+ green Signal- white

Four-core shielded cable with polyethylene. Cable is not connected with elastomer.

Cable length: 12 m

Cable diameter : 5 mm

The cable length could be chose by customer's application.