

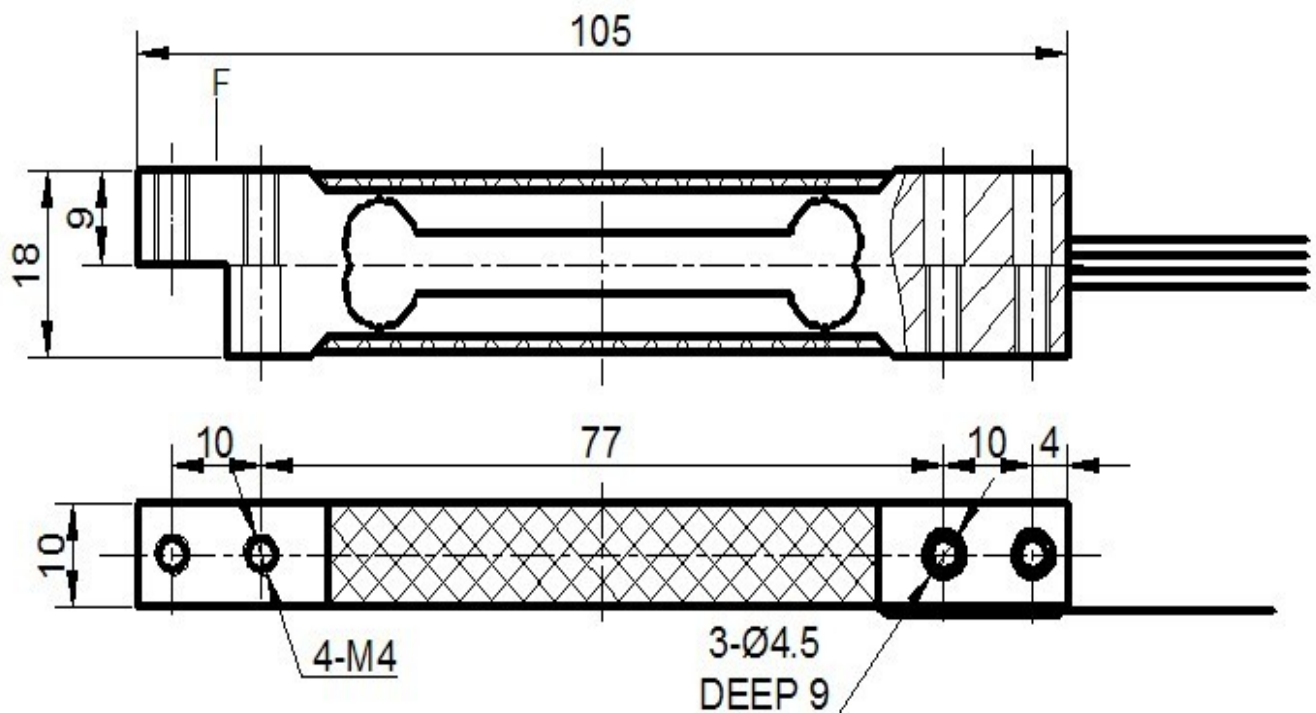
QL-51C miniature sensor are available in the capacities from 0.6kg to 5kg.
Aluminum construction, silicon adhesive sealed, surface anodized and anti-corrosion.
Integral structure and easy installation.
Suitable for electronic balance, electronic platform scale and other electronic weighing devices.



Features:

- Capacity : 0.6kg to 5kg
- Defend grade: IP65
- High accuracy, parallel beam type, reliable performance..
- Integral structure and easy installation.
- Recommended platform size: 120x120mm

Electrical connection and Dimensions:



QY Electronic Co Ltd

Address: No. 1032, Xinghan Road, Hantai District, Hanzhong, Shaanxi, China (Mainland)

Website: www.qysensor.com

TEL: +86-(0)916-2257989

E-mail: info@qysensor.com

Zip: 723000

Technical Specifications

Specifications:			
Capacity	kg	0.6, 1, 3, 5	
Safe overload	%FS	120	
Ultimate overload	%FS	150	
Rated output	mV/V	2.0 ± 0.1	
Excitation voltage	Vdc	9 ~ 12	
Combined error	%FS	± 0.03	± 0.02
Zero unbalance	%FS	± 2	
Non-linearity	%FS	± 0.03	± 0.02
Hysteresis	%FS	± 0.03	± 0.02
Repeatability	%FS	± 0.01	
Creep	%FS/10min	± 0.02	
Input resistance	Ω	405 ± 6	
Output resistance	Ω	350 ± 5	
Insulation resistance	M Ω	≥ 5000 @ 100 Vdc	
Operating temperature range	°C	-20 ~ +55	
Compensated temperature range	°C	-10 ~ +40	
Temperature coefficient of SPAN	%FS/10°C	± 0.024	± 0.017
Temperature coefficient of ZERO	%FS/10°C	± 0.03	± 0.02

Electrical connection:

Excitation+ red Excitation- black Signal+ green Signal- white

Four-color cable.

Cable length: 420mm