

QL-52B miniature sensor are available in the capacities from 0.3kg to 6kg.

Aluminum-alloy construction with parallel beam type, silicon adhesive sealed, surface anodized and anti-corrosion.

Integral structure and easy installation.

Suitable for electronic balance and other high accuracy electronic weighing devices.



### Features:

Capacity : 0.3kg to 6kg

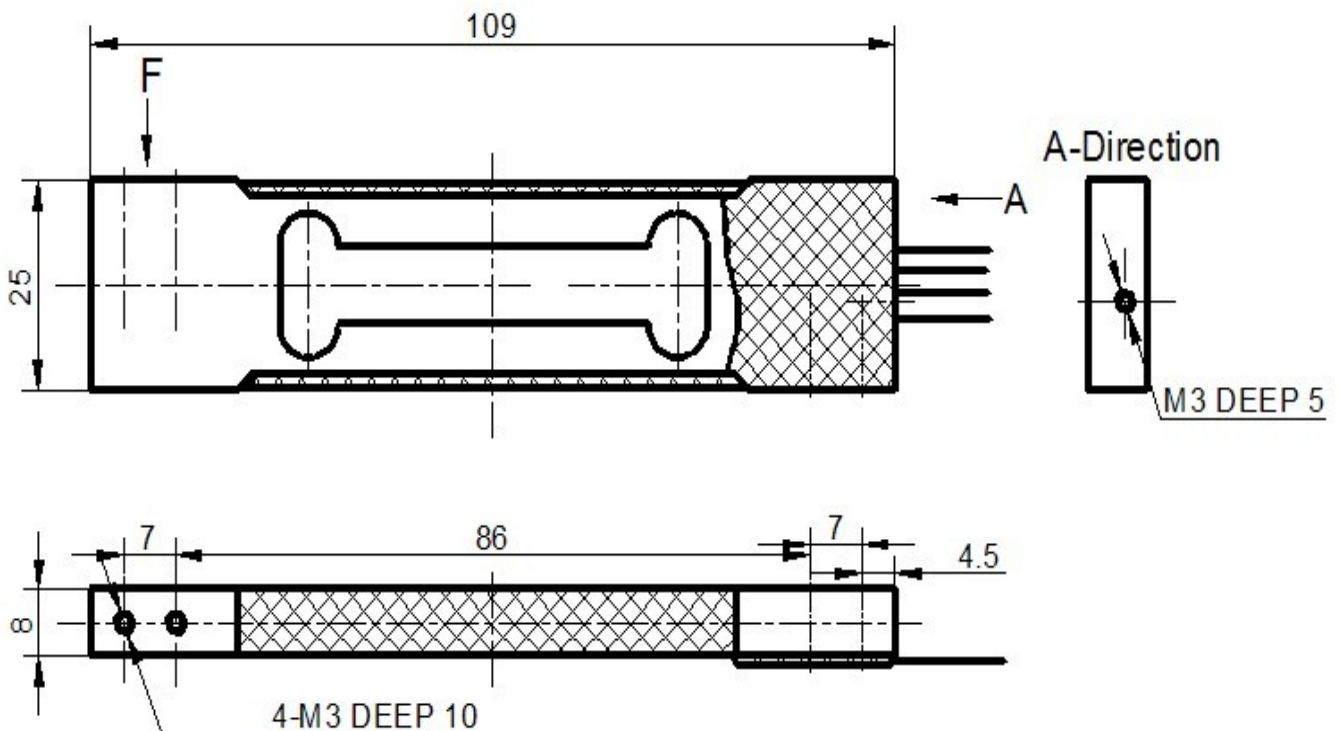
Defend grade: IP65

High accuracy, parallelbeam type, reliable performance.

Integral structure and easy installation.

Recommended platform size:120x120mm

### Electrical connection and Dimensions:



**Technical Specifications**

<b>Specifications:</b>			
capacity	kg	0.3~6	
safe overload	%FS	120	
ultimate overload	%FS	150	
rated output	mV/V	1.0 ± 0.1	2.0 ± 0.2
excitation voltage	Vdc	9 ~ 12	
combined error	%FS	± 0.03	0.02
zero unbalance	%FS	± 2	
non-linearity	%FS	± 0.03	± 0.02
hysteresis	%FS	± 0.03	± 0.02
repeatability	%FS	± 0.01	
creep	%FS/30min	± 0.02	
input resistance	Ω	405 ± 6	
output resistance	Ω	350 ± 5	
insulation resistance	M Ω	≥ 5000 @ 100 Vdc	
operating temperature range	°C	-20 ~ +55	
compensated temperature range	°C	-10 ~ +40	
temperature coefficient of SPAN	%FS/10°C	± 0.024	± 0.017
temperature coefficient of ZERO	%FS/10°C	± 0.03	± 0.02

**Electrical connection:**

Excitation+ red    Excitation- black    Signal+ green    Signal- white

Four-color one line.

calbe length: 300mm.

The cable length could be chose by customer's application.