

QL-52D miniature sensor are available in the capacities from 0.3kg to 6kg.
Aluminum-alloy construction with parallel beam type, silicon adhesive sealed, surface anodized and anti-corrosion.

Integral structure and easy installation.

Suitable for electronic balance and other high accuracy electronic weighing devices.



Features:

Capacity : 0.3kg to 6kg

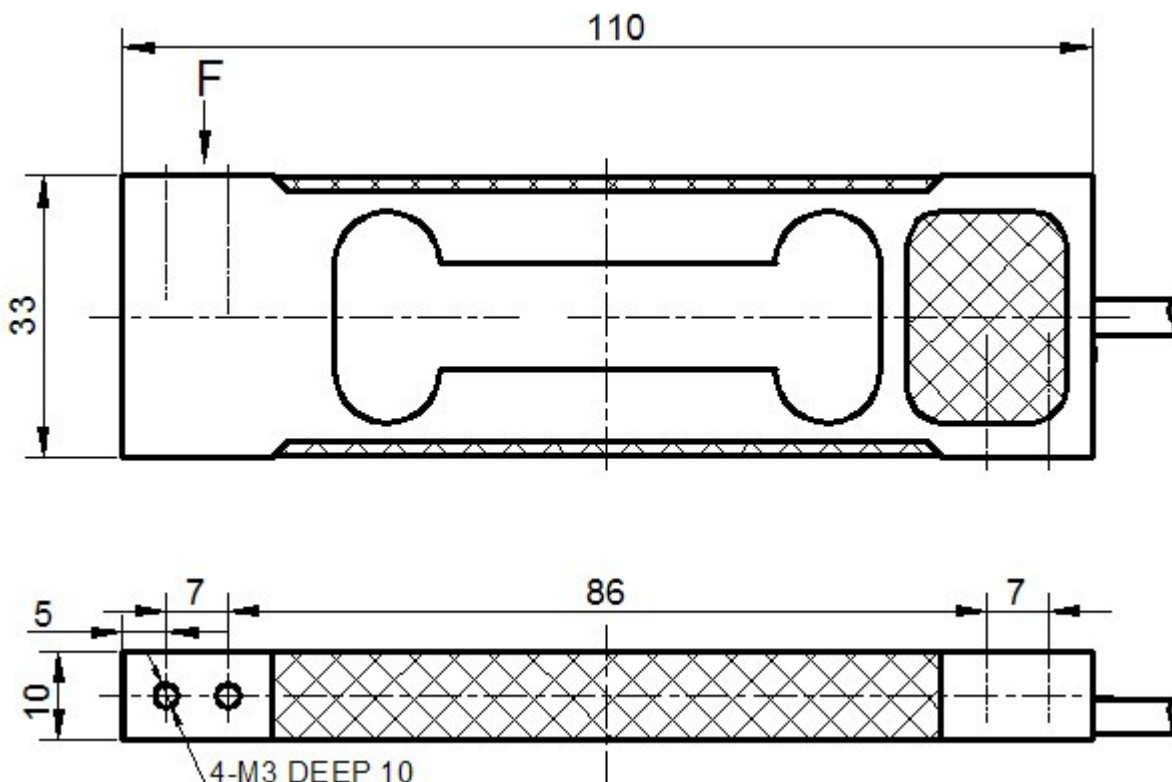
Defend grade: IP65

High accuracy, parallel beam type, reliable performance.

Integral structure and easy installation.

Recommended platform size: 120x120mm

Electrical connection and Dimensions:



Technical Specifications

Specifications:			
Capacity	kg	0.3~6	
Safe overload	%FS	120	
Ultimate overload	%FS	150	
Rated output	mV/V	2.0 ± 0.2	
Excitation voltage	Vdc	9 ~ 12	
Combined error	%FS	± 0.03	± 0.02
Zero unbalance	%FS	± 2	
Non-linearity	%FS	± 0.03	± 0.02
Hysteresis	%FS	± 0.03	± 0.02
Repeatability	%FS	± 0.01	
Creep	%FS/10min	± 0.02	
Input resistance	Ω	405 ± 6	
Output resistance	Ω	350 ± 5	
Insulation resistance	M Ω	≥ 5000 @ 100 Vdc	
Operating temperature range	°C	-20 ~ +55	
Compensated temperature range	°C	-10 ~ +40	
Temperature coefficient of SPAN	%FS/10°C	± 0.024	± 0.017
Temperature coefficient of ZERO	%FS/10°C	± 0.03	± 0.02

Electrical connection:

Excitation+ red Excitation- black Signal+ green Signal- white

Four-core shielded cable with polyethylene.

Cable diameter : \varnothing 4mm

Cable length: 450mm

The cable length could be chose by customer's application.