

QL-53A miniature sensor are available in the capacities from 0.3kg to 3kg.

Aluminum-alloy construction with parallel beam type, silicon adhesive sealed, surface anodized and anti-corrosion.

Integral structure and easy installation.

Suitable for electronic balance and other electronic weighing devices.



### Features:

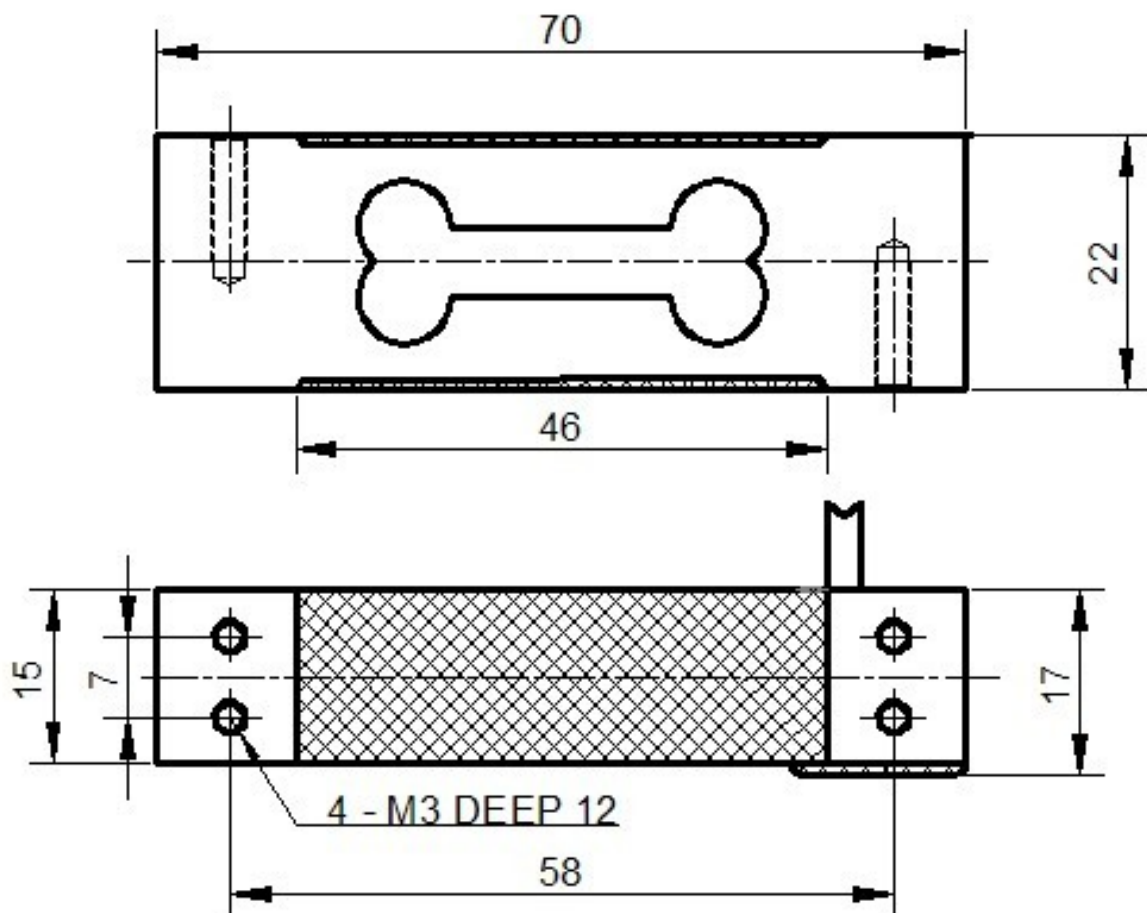
Capacity : 0.3kg to 3kg

Defend grade: IP65

High accuracy,parallel beam type, reliable performance.

Integral structure and easy installation.

### Electrical connection and Dimensions:



**Technical Specifications**

<b>Specifications:</b>			
Capacity	kg	0.3, 1, 2, 3,	
Safe overload	%FS	120	
Ultimate overload	%FS	150	
Rated output	mV/V	1.0 ± 0.1	2.0 ± 0.2
Excitation voltage	Vdc	9~ 12	
Combined error	%FS	± 0.03	± 0.02
Zero unbalance	%FS	± 2	
Non-linearity	%FS	± 0.03	± 0.02
Hysteresis	%FS	± 0.03	± 0.02
Repeatability	%FS	± 0.01	
Creep	%FS/10min	± 0.02	
Input resistance	Ω	405 ± 6	
Output resistance	Ω	350 ± 5	
Insulation resistance	M Ω	≥ 5000 @ 100 Vdc	
Operating temperature range	°C	-20 ~ +55	
Compensated temperature range	°C	-10 ~ +40	
Temperature coefficient of SPAN	%FS/10°C	± 0.024	± 0.017
Temperature coefficient of ZERO	%FS/10°C	± 0.03	± 0.02

**Electrical connection:**

Excitation+ red    Excitation- black    Signal+ green    Signal- white

Four-core shielded cable with polyethylene.

Cable diameter :  $\varnothing 4$ mm

Cable length: 450mm

The cable length could be chose by customer's application.