

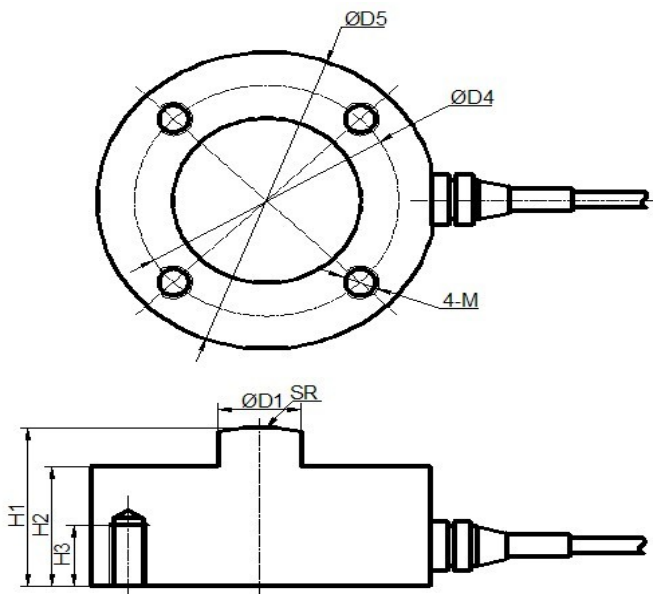
QH-61B load cells are available in the capacities from 0.1t to 30t.
 Alloy steel or aluminum alloy construction with spoke type.
 Silicon adhesive sealed inside, waterproof, anti-corrosion and suitable for all kinds of environment.
 Suitable for industrial control, dosing systems and other electronic weighing systems.



Features:

- Capacity: 0.1t to 30t.
- Defend grade: IP66.
- Good interchangeability.
- Reliable performance,integral installation and easy installation.

Electrical connection and Dimensions:



Cap(t)	D1	D4	D5	H1	H2	H3	M	SR
0.1~1	Ø10	Ø42	Ø50	30	23	10	M5	30
2~5	Ø22	Ø70	Ø90	48	36	15	M10	50
10~20	Ø32	Ø90	Ø115	60	48	20	M12	80
30	Ø42	Ø125	Ø155	90	75	25	M16	100

Technical Specifications

Specifications:			
capacity	t	0.1,0.3,0.5,1,2,5,10,20,30	
safe overload	%FS	150	
ultimate overload	%FS	200	
rated output	mV/V	2.0 ± 0.04	
excitation voltage	Vdc	9 ~ 12	
combined error	%FS	± 0.1	±0.05
zero unbalance	%FS	± 1	
non-linearity	%FS	± 0.1	±0.05
hysteresis	%FS	± 0.1	±0.05
repeatability	%FS	± 0.05	±0.05
creep	%FS/30min	± 0.1	±0.05
input resistance	Ω	730 ± 10	
output resistance	Ω	700 ± 5	
insulation resistance	M Ω	≥ 5000 @ 50 Vdc	
operating temperature range	°C	-20~ +65	
compensated temperature range	°C	-10 ~ +40	
temperature coefficient of SPAN	%FS/10°C	± 0.03	
temperature coefficient of ZERO	%FS/10°C	± 0.03	

Electrical connection:

Excitation+ red Excitation- black Signal+ green Signal- white

Four-core shielded cable with polyethylene.

Cable diameter : \varnothing 5mm

Cable length: 3m

The cable length could be chose by customer's application.