

QH-61D load cells are available in the capacities from 2t to 300t

Alloy steel or aluminum alloy construction with spoke type.

Silicon adhesive sealed inside, waterproof, anti-corrosion and suitable for all kinds of environment.

Suitable for truck scale, railway scale, hopper scales and other electronic weighing devices.



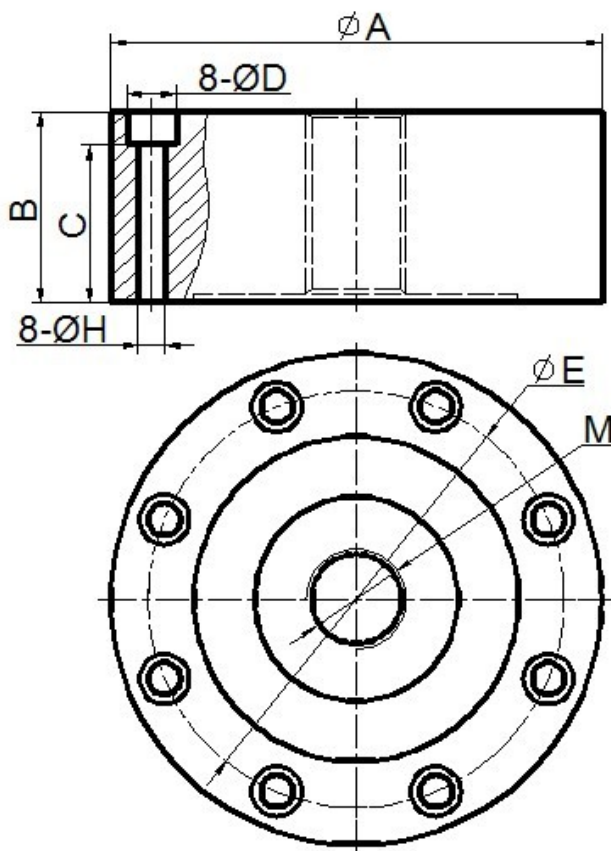
**Features:**

Capacity: 2~300t.

Defend grade: IP66 & IP68.

Reliable performance, integral installation and easy installation.

**Electrical connection and Dimensions:** (dimension unit: mm)



Cap(t)	$\phi A$	B	C	$\phi D$	$\phi E$	$\phi H$	M
2 ~ 5	$\phi 106$	32	22	$\phi 10.5$	$\phi 88$	$\phi 7.5$	M16x1.5
10 ~ 20	$\phi 122$	47	36	$\phi 14$	$\phi 101$	$\phi 9$	M32x1.5
50	$\phi 143$	51	35	$\phi 17$	$\phi 117$	$\phi 10.5$	M40x1.5
100	$\phi 200$	70	52	$\phi 20$	$\phi 162$	$\phi 18$	M64x3
200	$\phi 306$	120	94	$\phi 32$	$\phi 264$	$\phi 22$	M90x3
300	$\phi 350$	180	148	$\phi 38$	$\phi 296$	$\phi 26$	M120x3

<b>Specifications:</b>			
Capacity	t	2~300	
Safe overload	%FS	120	
Ultimate overload	%FS	150	
Rated output	mV/V	(1.0~1.5) ± 0.02	
Excitation voltage	Vdc	10~15	
Combined error	%FS	± 0.05	± 0.1
Zero unbalance	%FS	± 1	
Non-linearity	%FS	± 0.05	± 0.1
Hysteresis	%FS	± 0.05	± 0.1
Repeatability	%FS	± 0.03	± 0.05
Creep	%FS/30min	± 0.05	± 0.05
Input resistance	Ω	760 ± 30	
Output resistance	Ω	701 ± 5	
Insulation resistance	M Ω	≥ 5000 @ 50 Vdc	
Operating temperature range	°C	-20 ~ +70	
Compensated temperature range	°C	-10 ~ +40	
Temperature coefficient of SPAN	%FS/10°C	± 0.03	± 0.03
Temperature coefficient of ZERO	%FS/10°C	± 0.02	± 0.03

**Electrical connection:**

Excitation+ red    Excitation- black    Signal+ green    Signal- white

Four-core shielded cable with polyethylene.

Cable diameter :  $\varnothing$  5.8mm

Cable length: 15m

The cable length could be chose by customer's application.