

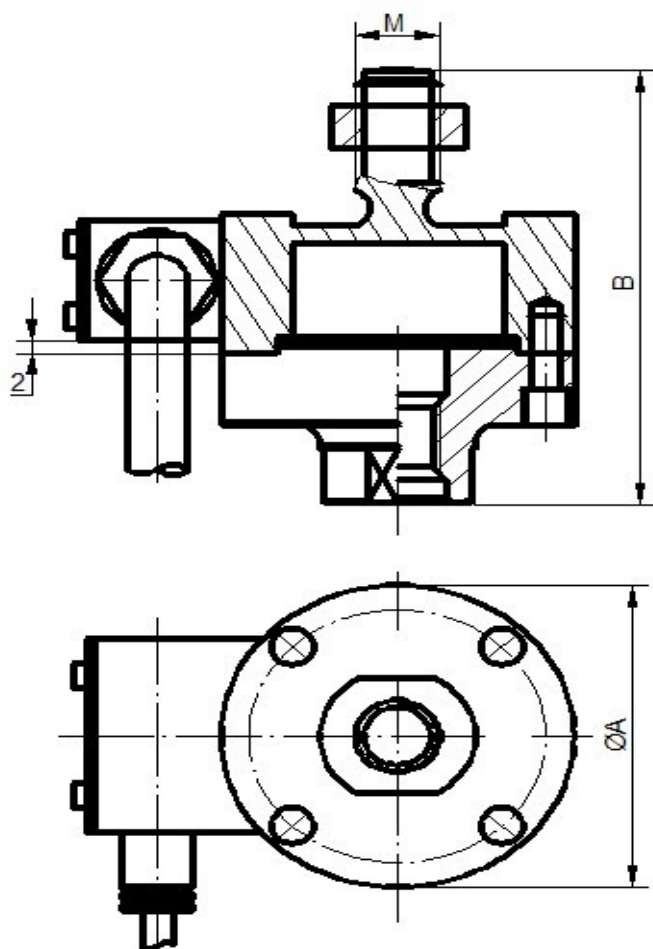
QH-63 load cells are available in the capacities from 1t to 20t.
 Alloy steel or aluminum alloy construction with spoke type.
 Silicon adhesive sealed inside, waterproof, anti-corrosion and suitable for all kinds of environment.
 Suitable for industrial control, dosing systems and other electronic weighing systems.



Features:

- Capacity: 1t to 20t.
- IP Rating: IP67 ~ IP68
- Tension and/or compression loading.
- Reliable performance, integral installation and easy installation.

Electrical connection and Dimensions:



Cap (t)	A	B	M
1	50.2	72.2	M 12
2	90.2	112.2	M20x1.5
5	100.5	141.2	M 24x2
10	135.2	197.3	M 39x2
20	155.2	232.1	M 48x2

Technical Specifications

Specifications:		
Capacity	t	1,2,5,10,20
Safe overload	%FS	150
Ultimate overload	%FS	200
Rated output	mV/V	2.0 ± 0.04
Excitation voltage	Vdc	9~ 12
Combined error	%FS	± 0.2
Zero unbalance	%FS	± 1
Non-linearity	%FS	± 0.2
Hysteresis	%FS	± 0.2
Repeatability	%FS	± 0.1
Creep	%FS/30min	± 0.03
Input resistance	Ω	700 ± 10
Output resistance	Ω	700 ± 5
Insulation resistance	M Ω	≥ 5000 @ 50 Vdc
Operating temperature range	°C	-20 ~ +55
Compensated temperature range	°C	-10 ~ +40
Temperature coefficient of SPAN	%FS/10°C	± 0.05
Temperature coefficient of ZERO	%FS/10°C	± 0.05

Electrical connection:

Excitation+ red Excitation- black Signal+ green Signal- white

Four-core shielded cable with polyethylene.

Cable diameter : \varnothing 5mm

Cable length: 3m

The cable length could be chose by customer's application.