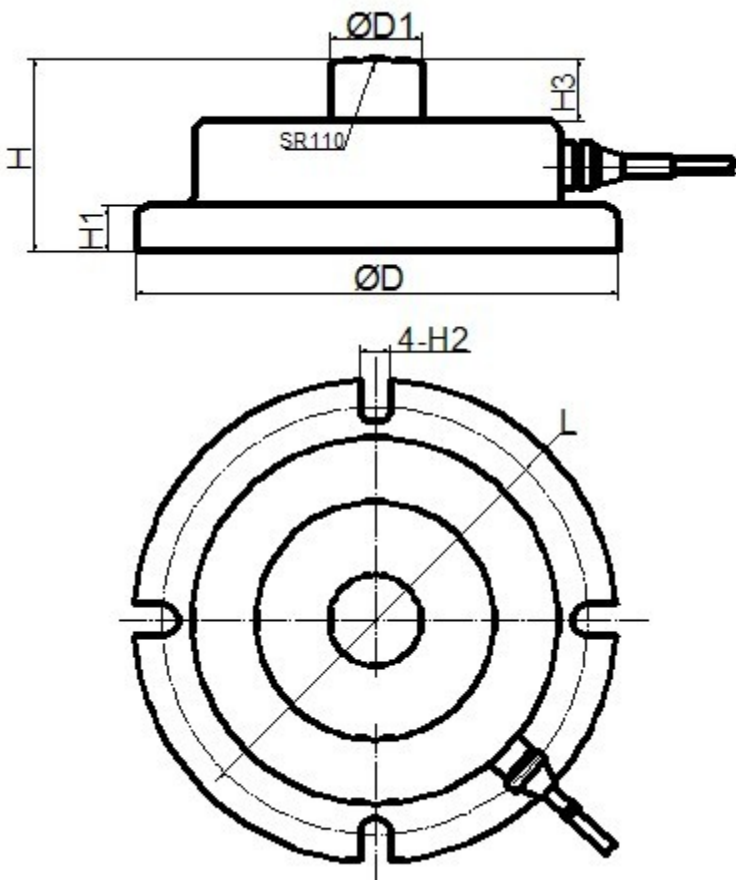


QH-61E load cells are available in the capacities from 1t to 30t.  
 Alloy steel or aluminum alloy construction with spoke type.  
 Silicon adhesive sealed inside, waterproof, anti-corrosion and suitable for all kinds of environment.  
 Suitable for Truck scale, rail weighbridge, hopper scale and other electronic weighing systems.



**Features:**  
 Capacity: 1~30 t.  
 Defend grade: IP66 & IP67.  
 Reliable performance, integral installation and easy installation.

**Electrical connection and Dimensions:** (dimension unit: mm)



Cap(t)	ØD	D1	H	H1	H2	H3	L
1	Ø115	Ø22	43	12	8.4	5	Ø99
2	Ø120	Ø26	45	12	8.4	5	Ø104
3, 5	Ø128	Ø20	46	12	10.4	5	Ø114
10	Ø160	Ø40	63	15	10.4	10	Ø140
15	Ø194	Ø42	68	20	12.4	10	Ø170
20	Ø221	Ø44	73	22	12.4	10	Ø196
30	Ø230	Ø48	78	25	12.4	10	Ø206

<b>Specifications:</b>			
Capacity	t	1,2,3,5,10,15,20,30	
Safe overload	%FS	150	
Ultimate overload	%FS	200	
Rated output	mV/V	2.0 ± 0.05	
Excitation voltage	Vdc	10~15	
Combined error	%FS	± 0.05	±0.03
Zero unbalance	%FS	± 1	
Non-linearity	%FS	± 0.05	± 0.03
Hysteresis	%FS	± 0.05	± 0.03
Repeatability	%FS	± 0.03	± 0.03
Creep	%FS/30min	± 0.05	± 0.03
Input resistance	Ω	725 ± 30	
Output resistance	Ω	701 ± 5	
Insulation resistance	M Ω	≥ 5000 @ 50 Vdc	
Operating temperature range	°C	-35 ~ +65	
Compensated temperature range	°C	-10 ~ +40	
Temperature coefficient of SPAN	%FS/10°C	± 0.03	± 0.03
temperature coefficient of ZERO	%FS/10°C	± 0.05	± 0.03

**Electrical connection:**

Excitation+ red    Excitation- black    Signal+ green    Signal- white

Four-core shielded cable with polyethylene.

Cable diameter :  $\varnothing$  5.7mm

Cable length: 6m

The cable length could be chose by customer's application.