

# QY Electronic Co Ltd

## QH-71B



QH-71B load cells are available in the capacities from 10t to 50t.

Alloy steel or stainless steel construction with Column type, auto-adjusted. Fully seal welding, silicon adhesive sealed inside, waterproof, grease proofing, anti-corrosion and suitable for all kinds of environment.

Column type structure design. Tension and/or compression loading and easy installation.

Suitable for truck scale, railway scale and other electronic weighing devices.



### Features:

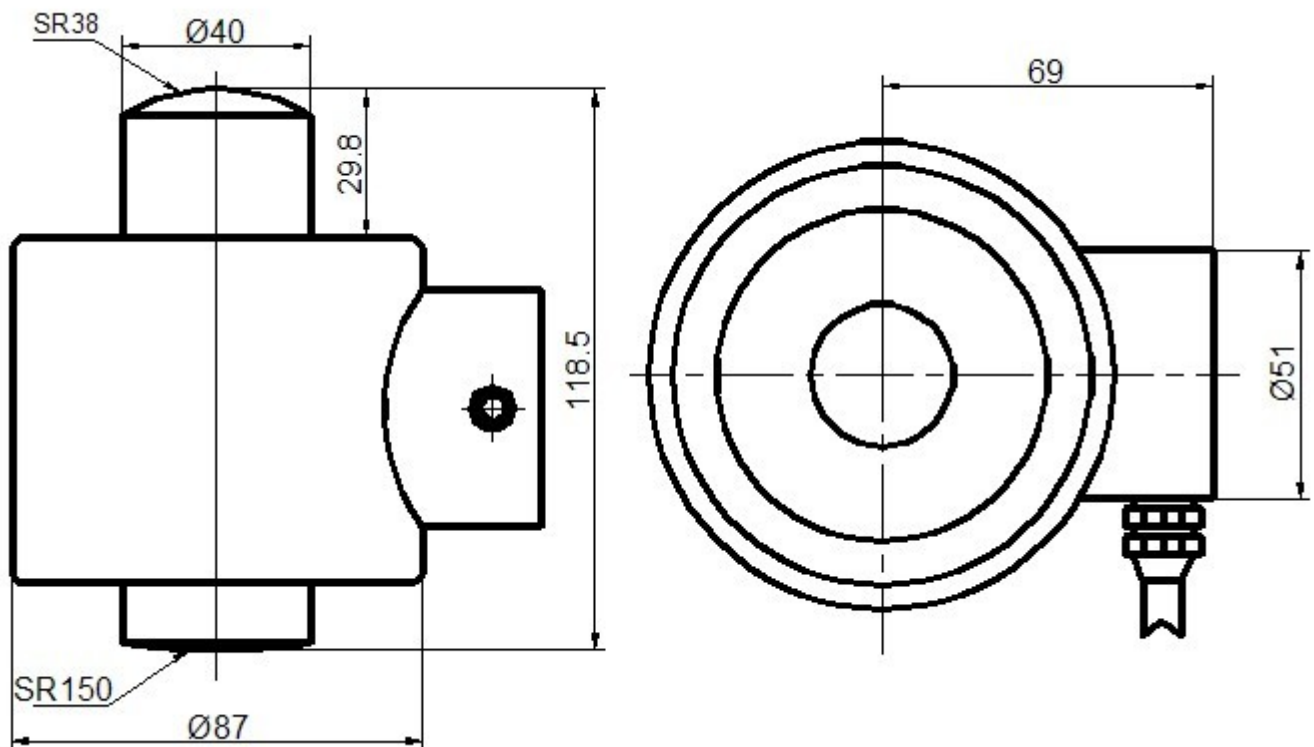
Capacity : 10 t to 50t.

IP grade: IP67 & IP68

High accuracy, reliable performance

Column type structure design, auto-adjusted, easy installation,

### Electrical connection and Dimensions:



## QY Electronic Co Ltd

Address: No. 1032, Xinghan Road, Hantai District, Hanzhong, Shaanxi, China (Mainland)

Website: [www.qysensor.com](http://www.qysensor.com)

TEL: +86-(0)916-2257989

E-mail: [info@qysensor.com](mailto:info@qysensor.com)

Zip: 723000

### Technical Specifications

Specifications:		
Capacity	t	10,20,25,30,40,50
Safe overload	%FS	150
Ultimate overload	%FS	300
Rated output	mV/V	1.5 ± 0.002
Excitation voltage	Vdc	9 ~ 12
Combined error	%FS	± 0.05
Zero unbalance	%FS	± 1
Non-linearity	%FS	± 0.05
Hysteresis	%FS	± 0.05
Repeatability	%FS	± 0.03
Creep	%FS/30min	± 0.03
Input resistance	Ω	700 ± 10
Output resistance	Ω	700 ± 5
Insulation resistance	M Ω	≥ 5000 @ 100 Vdc
Operating temperature range	°C	-35 ~ +65
Compensated temperature range	°C	-10 ~ +40
Temperature coefficient of SPAN	%FS/10°C	± 0.02
Temperature coefficient of ZERO	%FS/10°C	± 0.03

### Electrical connection:

Excitation+ red    Excitation- black    Signal+ green    Signal- white  
Four-core shielded cable with polyethylene.

Cable diameter :  $\varnothing$ 5mm

Cable length: 10 m

The cable length could be chose by customer's application.

## QY Electronic Co Ltd

Address: No. 1032, Xinghan Road, Hantai District, Hanzhong, Shaanxi, China (Mainland)

Website: [www.qysensor.com](http://www.qysensor.com)

TEL: +86-(0)916-2257989

E-mail: [info@qysensor.com](mailto:info@qysensor.com)

Zip: 723000