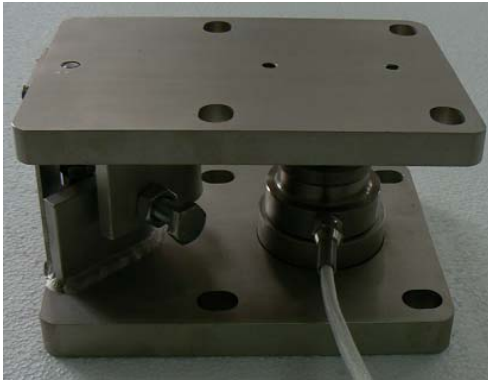


## QH-61G Series weighing transducer and module

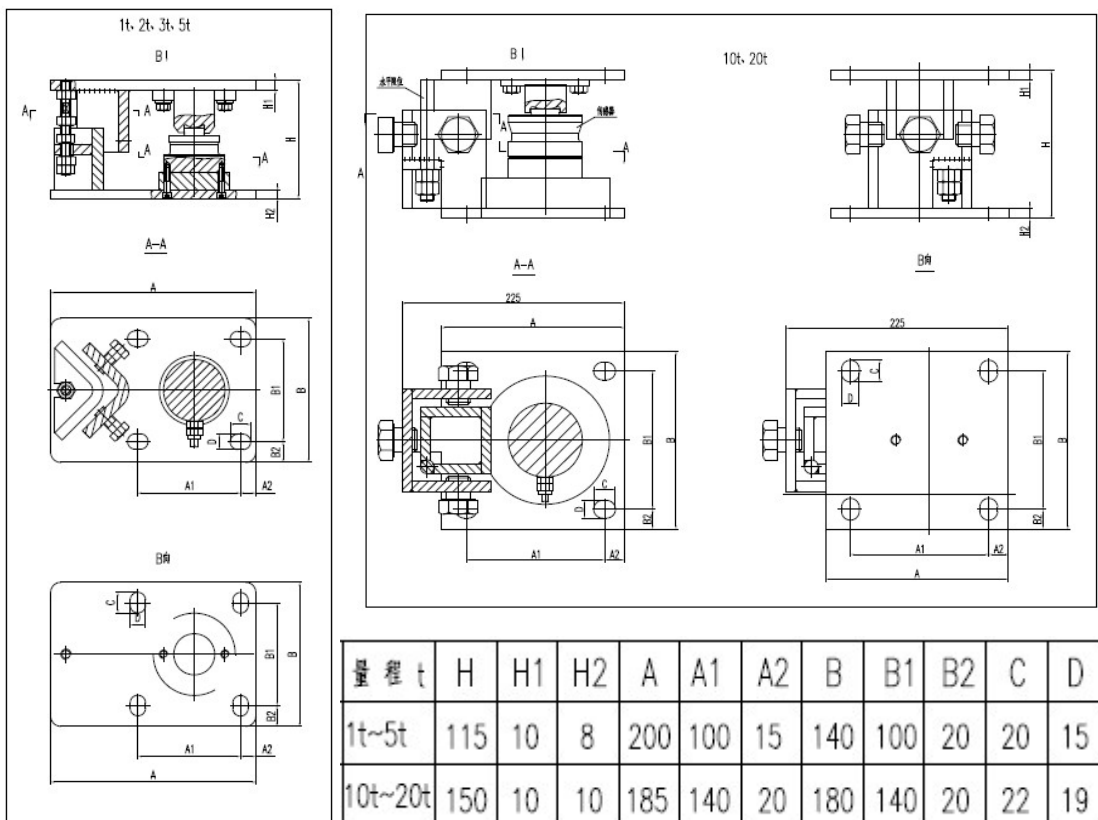


**QH-61G**

### Features:

1. Alloy steel or stainless steel materials.
2. Reasonable structure, installation components is stable and reliable.
3. Capacity range : 1-20t
4. Outlet with standard way for four wires, optional six wires.
5. Used in the hopper scale and weighing system.

### QH-61G Installation module dimensions:



## QY Electronic Co Ltd

Address: No. 1032, Xinghan Road, Hantai District, Hanzhong, Shaanxi, China (Mainland)

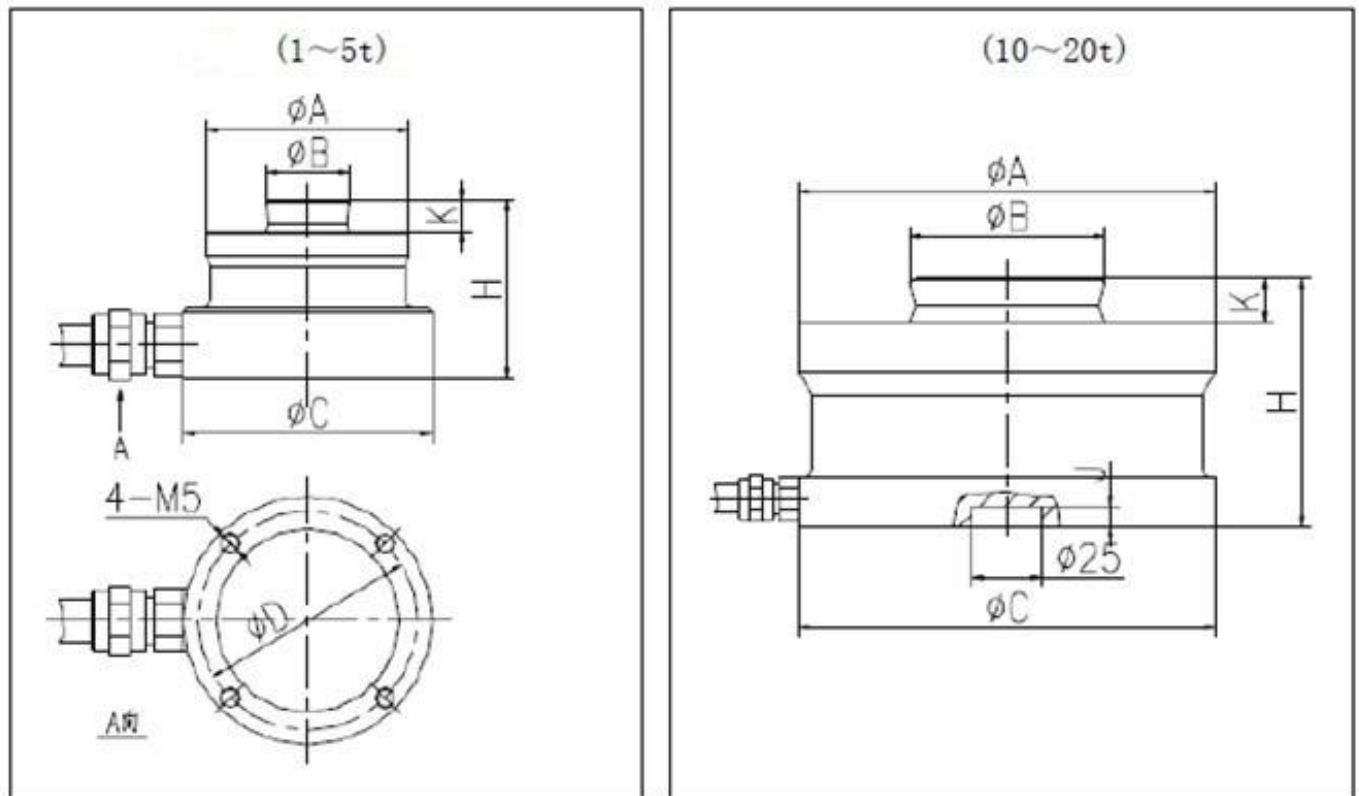
Website: [www.qysensor.com](http://www.qysensor.com)

E-mail: [info@qysensor.com](mailto:info@qysensor.com)

TEL: +86-(0)916-2257989

Zip: 723000

**QH-61G Load Cell Main Dimensions:**



CAP (t)	dimensions(mm)					
	A	B	C	D	H	K
1~2	49	18.5	60	53	43	7.5
5	49	18.5	60	53	43	7.5
10	75	30	75	/	50	6.5
20	75	30	75	/	50	6.5

**QY Electronic Co Ltd**

**QH-61G Specification**

Rated load	t	1~5		10~20		
Rated output	mv/v	2.0±0.01		2.8±0.01		
Accuracy grade	%FS	±0.03	±0.05	±0.03	±0.05	±0.1
Linearity error	%FS	±0.03	±0.05	±0.03	±0.05	±0.1
Hysteresis error	%FS	±0.03	±0.05	±0.03	±0.05	±0.1
Repeatability error	%FS	±0.02	±0.03	±0.02	±0.03	±0.05
Creep error	%FS/30min	±0.03	±0.05	±0.03	±0.05	±0.05
Temperature coefficient of ZERO	%FS/10℃	±0.02		±0.03		±0.05
Temperature coefficient of SPAN	%FS/10℃	±0.02		±0.03		±0.05
Zero unbalance	%FS	±1				
Safe overload	%FS	150				
Output resistance	Ω	700±10				
Input resistance	Ω	750±30				
Insulation resistance	MΩ	5000 (50VDC)				
Excitation voltage	V	10(DC)				
Maximum excitation	V	15(DC)				
Compensation temperature	℃	-10~+40				
Operating temperature	℃	-10~+60				
Protection	/	IP67				
Mode of connection	4-core 12 meters cable Excitation+ red; Signal+ green ; Excitation- black ; Signal- white.					

**QY Electronic Co Ltd**

Address: No. 1032, Xinghan Road, Hantai District, Hanzhong, Shaanxi, China (Mainland)

Website: [www.qysensor.com](http://www.qysensor.com)

E-mail: [info@qysensor.com](mailto:info@qysensor.com)

TEL: +86-(0)916-2257989

Zip: 723000