

## QP-87X Pressure Transmitter



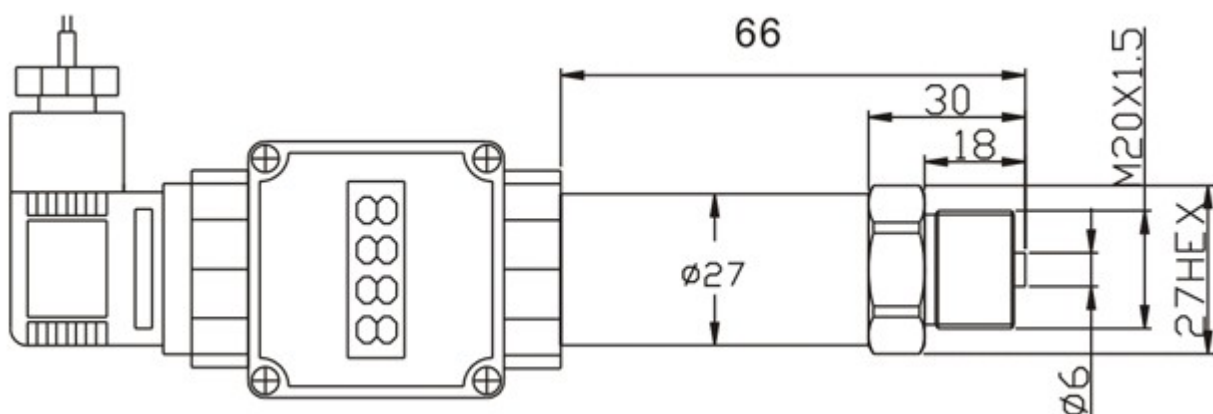
**Model:** QP-87X

**Range:** -100~0KPa, 0~5KPa...0~500KPa...0~100MPa

### Feature:

- ◆ Have the characteristics of high precision, good stability, long working life and high reliability.
- ◆ With the function of LED display
- ◆ Easy to installation.
- ◆ Small in size, light in weight.
- ◆ Pressure connection and Electrical connection are able to chosen by customers.
- ◆ Suitable for measuring the gases and liquids.

**Dimensions:** (unit: mm)



## QY Electronic Co Ltd

Address: No. 1032, Xinghan Road, Hantai District, Hanzhong, Shaanxi, China (Mainland)

Website: [www.qysensor.com](http://www.qysensor.com)

TEL: +86-(0)916-2257989

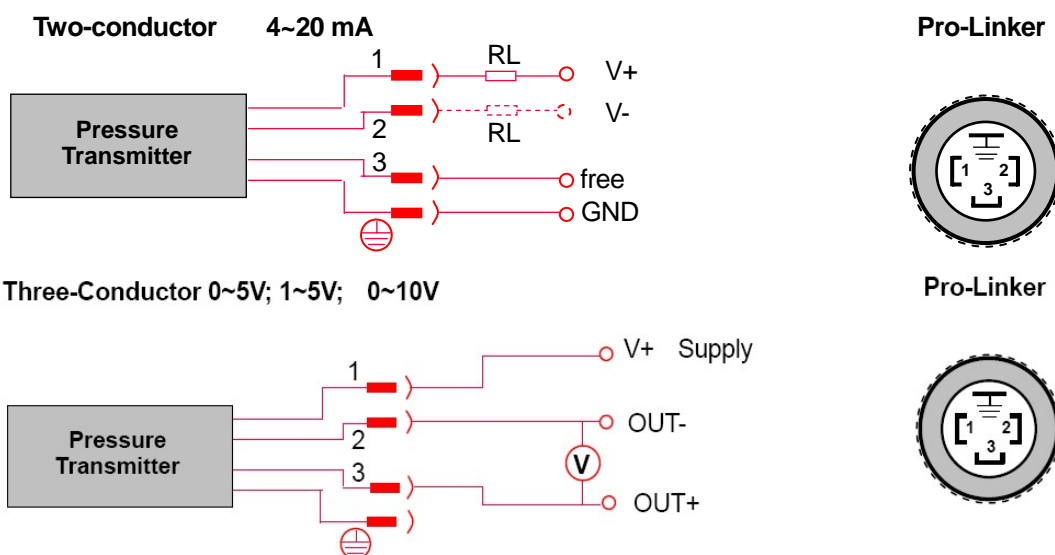
E-mail: [info@qysensor.com](mailto:info@qysensor.com)

Zip: 723000

**Technical Specifications**

Measuring media	Gases or liquids which are compatible to 316L stainless steel	
Measuring range	-100~0KPa, 0~5KPa...0~500KPa...0~100MPa	
Pressure type	Gauge(G),Absolute(A),Sealed(S)	
Signal output	transmitter, mA (2 wires)	4~20mA
	transmitter, Vdc (3 wires)	0~10V, 0~5V, 1~5V,0~20mA
Combined accuracy	%FS	±0.25(Standard), ±0.5 (Max)
Long stability	±0.1%FS/year (Standard) ; ±0.2%FS/year (Max)	
Power supply	Vdc	12~36 (Standard 24Vdc)
Compensated temp.	°C	-10~+60
Operating temp.	°C	-20~+80
Temperature coefficient of ZERO	%FS/10°C	±0.3%FS(≤100Kpa) , ±0.2%FS(>100Kpa)
Temperature coefficient of SPAN	%FS/10°C	±0.3%FS(≤100Kpa) , ±0.2%FS(>100Kpa)
Insulation resistance	MΩ	> 500 @ 100Vdc
Display	LED display	
Electrical connection	DIN43650, Aviation connector, Directly lead (Selectable)	
Material	Housing Material	Stainless steel (1Cr18Ni9Ti)
	Material of diaphragm	316L Stainless steel
Pressure connection	M20x1.5, M12x1, G1/2", (Customized)	
Environment protection	IP	65
Safe overload	%FS	150
Ultimate overload	%FS	200

**Electrical connection:**



※**Ordering code:** model- range & type-signal output-accuracy-pressure connection-electrical connection-defend grade-the other requests.

**Example:** QP-87X-0/300KPaG-4/20mA-0.25%FS-M20x1.5-DIN43650-IP65-\*\*\*

**QY Electronic Co Ltd**

Address: No. 1032, Xinghan Road, Hantai District, Hanzhong, Shaanxi, China (Mainland)

Website: [www.qysensor.com](http://www.qysensor.com)

E-mail: [info@qysensor.com](mailto:info@qysensor.com)

TEL: +86-(0)916-2257989

Zip: 723000