

## QZP-S5 Smart Pressure Transmitter

QZP-S5 smart pressure transmitters are consisting of 316L isolation membrane pressure transmitter, high-powered MPU, integrated circuit and high-stability constant current. It can correct the linearity and compensate temperature drift. Also can adjust the data of transmitter by hand-held, achieve accurate data transfer, local equipment diagnoses and long-distance bidirectional communication. With characteristics of high precision, good stability, good reliability and easy handle.



**Model:** QZP-S5

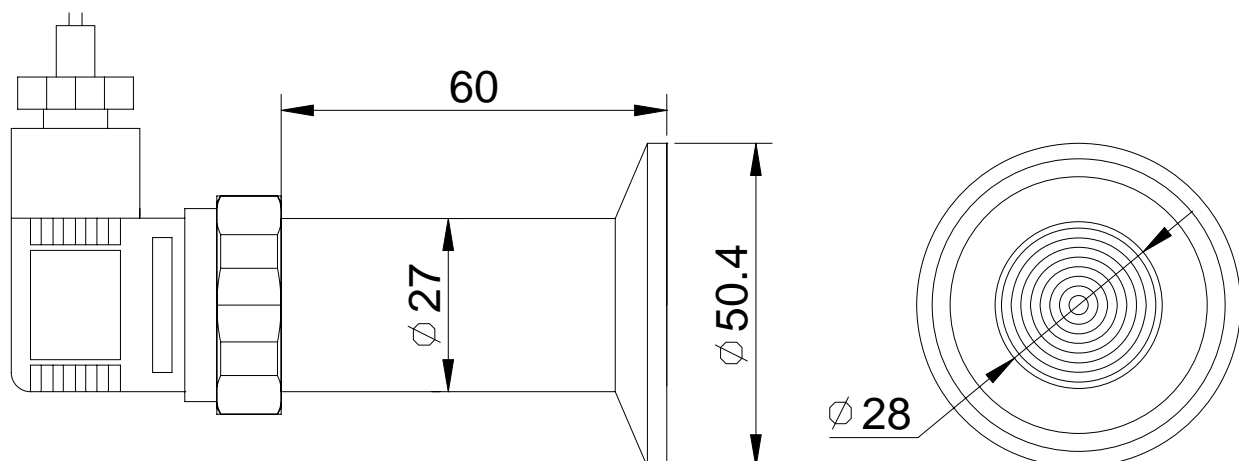
**Range:** 0~35KPa...0~500KPa...0~2 MPa

**Accuracy:**  $\pm 0.2\%FS$ ,  $\pm 0.3\%FS$

### Feature:

- ◆ Smart type pressure transmitters.
- ◆ Can choose with HART AGREEMENT.
- ◆ Have the characteristics of high precision, good stability, long working life and high reliability.
- ◆ Small in size, light in weight. easy to installation.
- ◆ Suitable for the high accuracy measuring of food equipment etc.

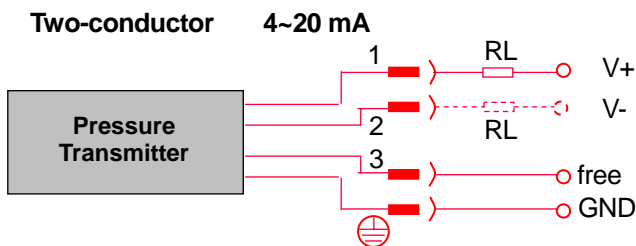
**Dimensions:** (unit: mm)



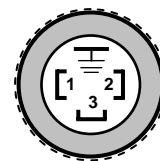
**Technical Specifications**

Measuring media		Gases or liquids which are compatible to 316L stainless steel	
Measuring range		0~35KPa...0~500KPa...0~2 MPa	
Pressure type		Gauge(G),	
Signal output	Analog	transmitter, mA (2 wires)	4~20mA
		transmitter, Vdc (3 wires)	0~10V, 1~5V, 0~5V, 0~20mA
	Digital	Can bi-directionally communication in accordance with HART AGREEMENT	
Combined accuracy		%FS	±0.2(Standard), ±0.3 (Max)
Long stability		±0.1%FS/year (Standard) ; ±0.2%FS/year (Max)	
Power supply		Vdc	12~36 (Standard 24Vdc)
Compensated temp.		°C	-10~+60
Operating temp.		°C	-30~+85
Temperature coefficient of ZERO		%FS/10°C	≤±0.2
Temperature coefficient of SPAN		%FS/10°C	≤±0.2
Insulation resistance		MΩ	> 500 @ 100Vdc
Electrical connection		DIN43650, aviation connector, directly lead (Selectable)	
Material	Housing Material		Stainless steel (1Cr18Ni9Ti)
	Material of diaphragm		316L Stainless steel
Environment protection		IP	65
Safe overload		%FS	200

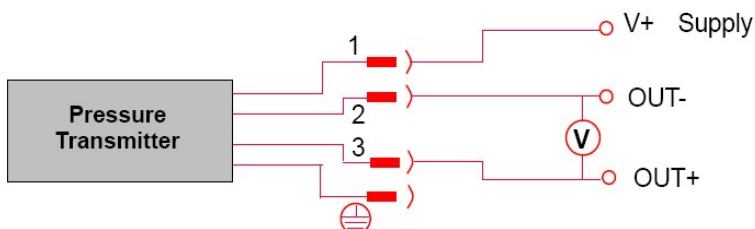
**Electrical connection:**



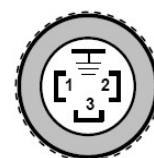
**Pro-Linker**



**Three-Conductor 0~5V; 1~5V; 0~10V**



**Pro-Linker**



※**Ordering code:** model- range & type-signal output-accuracy-electrical connection-defend grade-the other requests.

**Example:** QZP-S5-0/500KPaG-4/20mA-0.2%FS- DIN43650-IP65-\*\*\*

**QY Electronic Co Ltd**