

QPT-102 High Temperature melt Pressure Transmitter



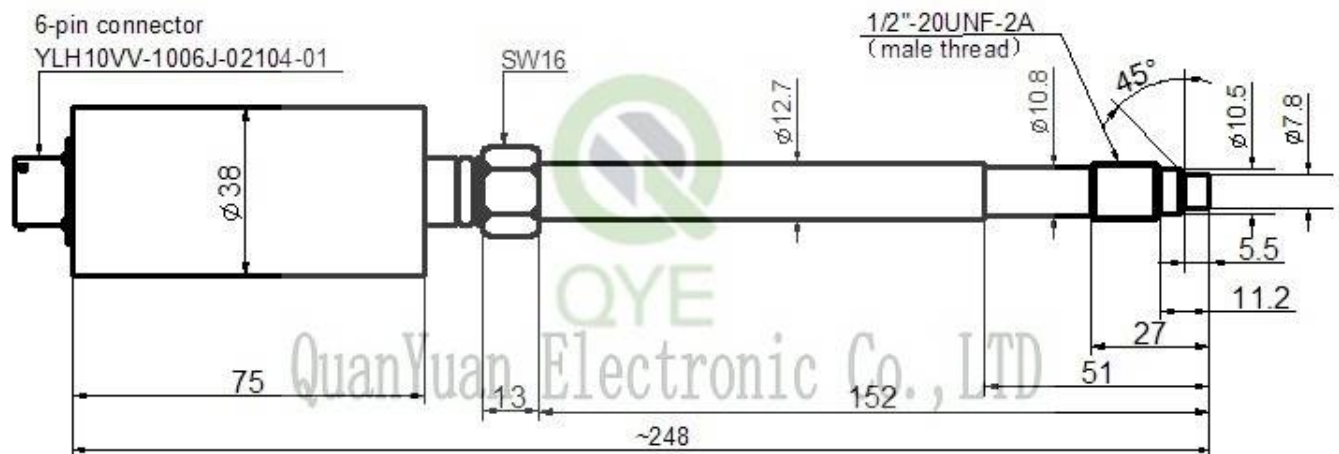
Model:QPT-102

Range:0~10 bar...2000 bar

Feature:

- ◆ Have the characteristics of high precision, high reliability, good stability, long working life.
- ◆ Accuracy can be chosen by customers.
- ◆ Easy to install.
- ◆ Pressure connection is able to chosen by customers.
- ◆ Suitable for measuring melt.

Dimensions: (unit: mm)



QY Electronic Co Ltd

Address: No. 1032, Xinghan Road, Hantai District, Hanzhong, Shaanxi, China (Mainland)

Website: www.qysensor.com

E-mail: info@qysensor.com

TEL: +86-(0)916-2257989

Zip: 723000

Technical Specifications

Measuring range	bar	0/10,0/20,0/35,0/50,0/70,0/100,0/200, 0/350,0/500,0/700,0/1000,0/1400,0/2000
Overload pressure	%FS	150(max.pressure: 2100 bar)
Signal output @ FS	mV/V	2.0, 2.5, 3.3(selectable)
	amplified output signal	4~20mA, 0~5V, 0~10V(selectable)
Power supply	mV signal	8~12Vdc
	amplified signal	12~36Vdc(Model 24Vdc)
Combined error	%FS	0.3,0.5(standard),1.0 (selectable)
Zero adjustment	%FS	±10
Span adjustment	%FS	±6
Repeatability	%FS	0.2
Output resistance	Ω	350±10%
Insulation resistance	M Ω	≥500 @ 100 Vdc
Max.temp.@ wetted parts	°C	400
TCZ	%FSO/10°C	0.5
TCS	%FSO/10°C	0.5
Long-term stability	%FSO/year	<0.15
Compensated temp.	°C	0~80
Pressure connection	external thread	1/2"-20 UNF-2A(standard),M14×1.5,M18×1.5
Electrical connection	connector	6-pin (standard) male tighten connector, 8-pin male screw in connector
Max.mounting torque	N.m.	40

Electrical connection:

QY Electronic Co Ltd

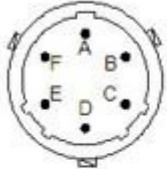
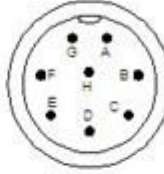
Address: No. 1032, Xinghan Road, Hantai District, Hanzhong, Shaanxi, China (Mainland)

Website: www.qysensor.com

E-mail: info@qysensor.com

TEL: +86-(0)916-2257989

Zip: 723000

schematic diagram									
6-Pin male connector YLH25N1006J-4 (6-hole mating socket: YLH26N1006K22)					8-Pin male connector YLH27N1008J-6 (8-hole mating socket: YLH28N1008K23)				
									
electrical connections	6-pin	8-pin	color code of 6-wire PVC cable and identification of 6-hole or 8-hole on the mating socket		electrical connections	6-pin	8-pin	color code of 6-wire PVC cable and identification of 6-hole or 8-hole on the mating socket	
signal+	A	A	blue(bl)	hole-A	supply/signal+	A	A	red(rd)	hole-A
Signal-	B	B	green (gr)/white	hole-B	supply/signal-	B	B	white(wh)	hole-B
supply+	C	C	red(rd)	hole-C	not connected	C	C	not connected	hole-C
supply-	D	D	yellow(ye)	hole-D	not connected	D	D	not connected	hole-D
calibration	E	E	black(bk)	hole-E	calibration	E	E	black (bk)/yellow(ye)	hole-E
calibration	F	F	brown(br)	hole-F	calibration	F	F	green(gr)	hole-F
not connected	NA	G	not connected	hole-G	not connected	NA	G	not connected	hole-G
not connected	NA	H	not connected	hole-H	not connected	NA	H	not connected	hole-H