
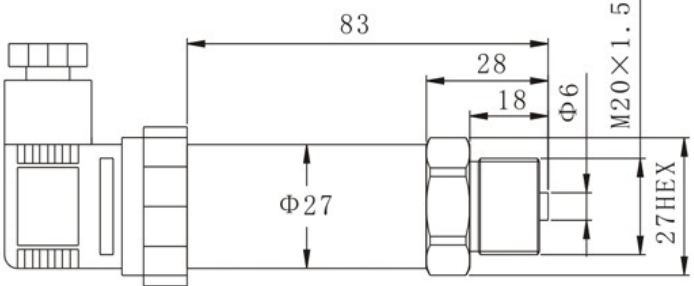

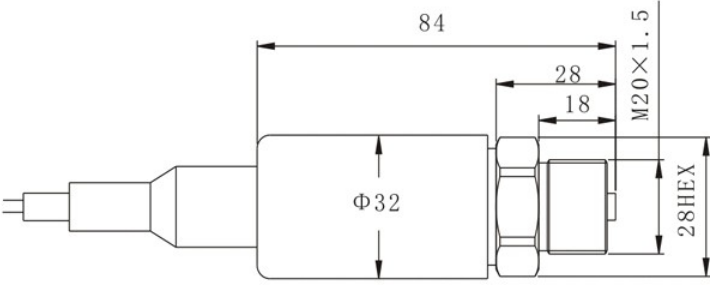


QTK-Z Series Pressure Switch

QTK-Z Series pressure switches have functions of measure, output and control. The front part utilize oil-filled piezoresistive pressure sensor with membrane. Output signal is processed by amplifier of high-precision and low temperature drift. Processed signal control one-way switch. Have characteristics of easy to use / adjust and safety. Apply widely in Electric power, water supply, Petroleum, Chemical industry, and Machine, Hydraulic and so on. Apply to measure and control for liquid pressure.

<p style="text-align: center;">QTK-Z1</p> 	
<p style="text-align: center;">QTK-Z2</p> 	

Specification

Pressure range	-0.1~0~0.01~1,10, 60,100MPa
Stability	≤ ±0.5%FS/year
Accuracy	≤ ±0.5%FS
Accuracy of analog	±0.2, ±0.3
Power supply	24V ± 20%

QY Electronic Co Ltd

Address: No. 1032, Xinghan Road, Hantai District, Hanzhong, Shaanxi, China (Mainland)

Website: www.qysensor.com

E-mail: info@qysensor.com

TEL: +86-(0)916-2257989

Zip: 723000

Operating temperature	-30°C~+80°C
Thermal drift	≤0.8%FS
Protect grade	IP65
Medium	Liquid or gas compatible with 316L ss
Power	<0.5W
Switch life	>1000000 times
Relative humidity	10%~80%
Connection size	M20×1.5 or User's choose
Permitted overload	2X rated range
Output function	QTK-Z1: one-group switch output: Relay AC 220V/1.2A DC 30V/1.2A
	QTK-Z2: one-group switch output: Relay AC 220V/1.2A DC 30V/1.2A