

QMT-801 Torque Sensor



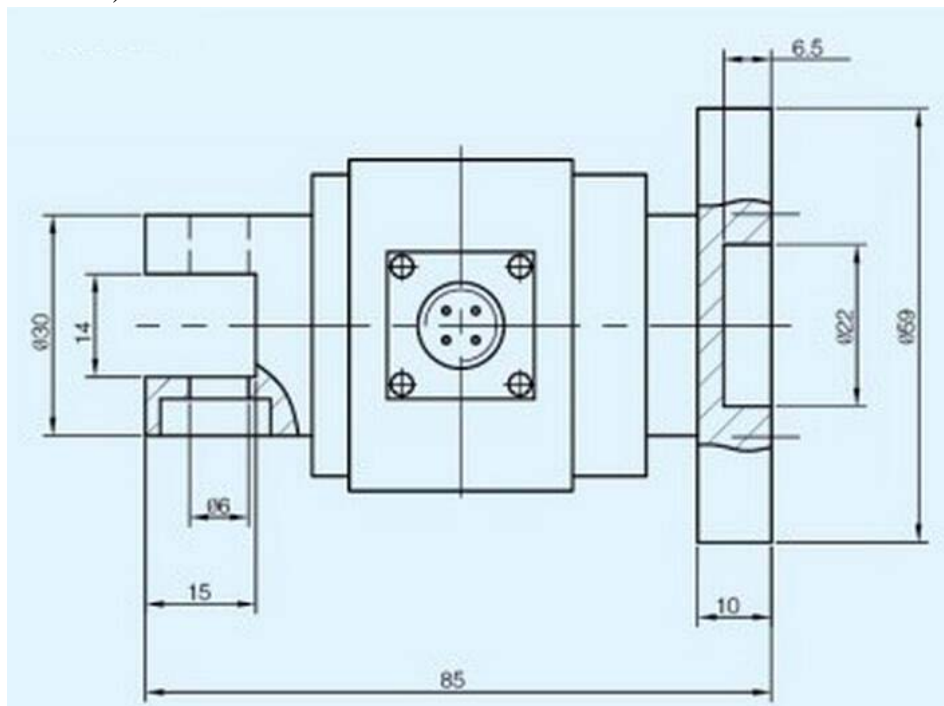
Model: QMT-801

Range: 10NM-500NM

Feature:

- ◆ Have the characteristics of high precision, good stability, long working life and high reliability.
- ◆ Easy to installation.

Dimensions: (unit: mm)



QY Electronic Co Ltd

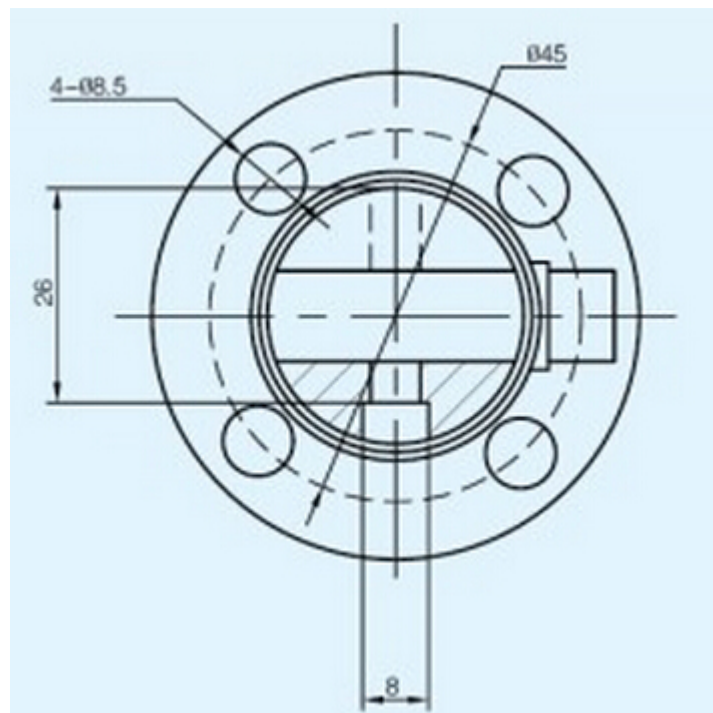
Address: No. 1032, Xinghan Road, Hantai District, Hanzhong, Shaanxi, China (Mainland)

Website: www.qysensor.com

TEL: +86-(0)916-2257989

E-mail: info@qysensor.com

Zip: 723000



Technical Specifications

Specifications:		
capacity	N · M	10NM-500NM
combined error	%FS	0.5
rated output	mV/V	1.0~2.0± 0.04
excitation voltage	Vdc	5 ~ 12
zero unbalance	mV/V	± 1
creep	%FS/30min	± 0.05
temperature coefficient of SPAN	%FS/10℃	± 0.03
temperature coefficient of ZERO	%FS/10℃	± 0.03
input resistance	Ω	380 ± 20
output resistance	Ω	350 ± 2
insulation resistance	M Ω	≥5000 @ 50 Vdc
operating temperature range	℃	-35 ~ +75
compensated temperature range	℃	-20 ~ +60
environment protection		IP65
safe overload	%FS	150
ultimate overload	%FS	200

QY Electronic Co Ltd

Address: No. 1032, Xinghan Road, Hantai District, Hanzhong, Shaanxi, China (Mainland)

Website: www.qysensor.com

E-mail: info@qysensor.com

TEL: +86-(0)916-2257989

Zip: 723000

Electrical connection:

- Excitation+ red Excitation- black Signal+ green Signal- white
- Four-core shielded cable with polyethylene; shielding wire is not connected with elastomer.
- Cable length: 5m

The cable length could be chose by customer's application.