

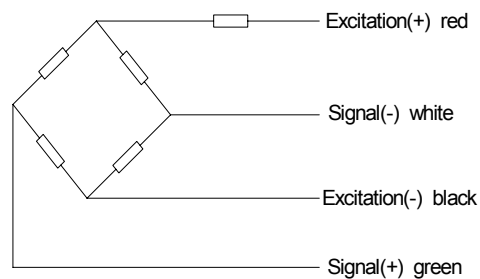
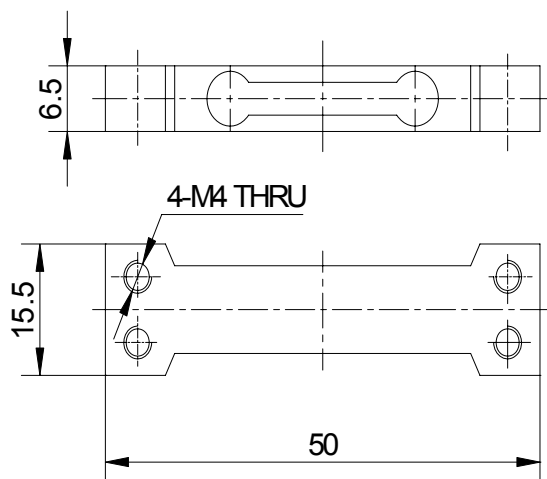
QL-56B mini load cells are available in the capacities from 300 g to 5kg.  
Aluminum alloy construction with parallel beam type.  
Silicon adhesive sealed, surface anodized and anti-corrosion.  
Integral structure and easy installation.



### Features:

1. Capacity : 300 g to 5kg
2. High accuracy 0.05%FS
3. Aluminum alloy parallel beam load cell
4. Integral installation

### Electrical connection and Dimensions:



## Technical Specifications

<b>Specifications:</b>		
capacity	g	300,500,750,1000,5000
safe overload	%FS	150
rated output	mV/V	0.7 ± 0.1
excitation voltage	Vdc	≤6
combined error	%FS	0.05
zero unbalance	mV/V	± 0.1
non-linearity	%FS	± 0.05
hysteresis	%FS	± 0.05
repeatability	%FS	± 0.05
creep	(10min) %FS	± 0.05
input resistance	Ω	1100 ± 30
output resistance	Ω	1000 ± 10
insulation resistance	M Ω	≥ 2000 @ 50 Vdc
operating temperature range	°C	-10 ~ +40
temperature coefficient of SPAN	%FS/10°C	± 0.05
temperature coefficient of ZERO	%FS/10°C	± 0.3

## Electrical connection:

- Excitation+ red    Excitation- black    Signal+ green    Signal- white
- Four -color single line
- Cable length: 150mm
- Cable diameter: 0.6±0.1 mm