

## QMT-804 Torque Sensor



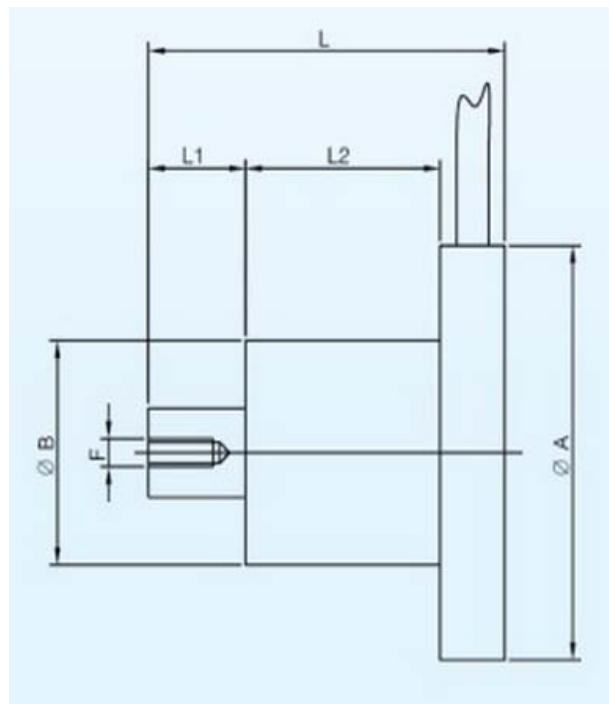
**Model:** QMT-804

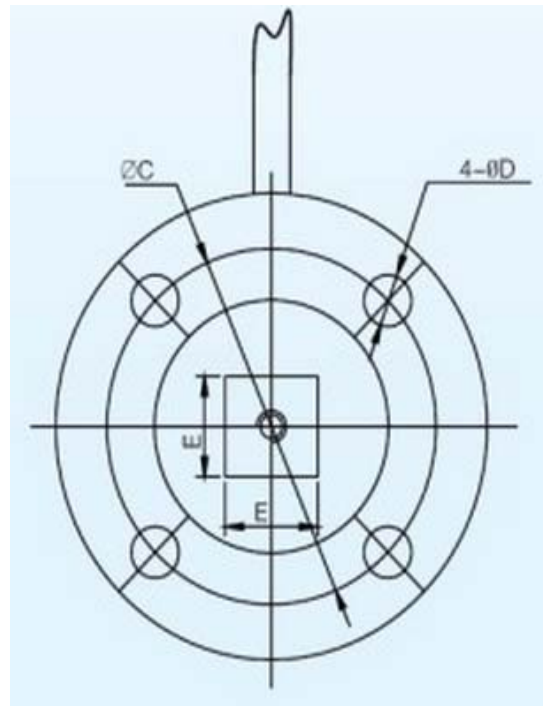
**Range:** 1NM-500NM

**Feature:**

- ◆ Have the characteristics of high precision, good stability, long working life and high reliability.
- ◆ Easy to installation.

**Dimensions:** (unit: mm)





<b>Dimensions (mm)</b>	L	L1	L2	φ A	φ B	φ C	φ D	E	F
<b>Capacity (NM)</b>									
1,2,5,10,20,50,100,200	55	15	30	φ 59	φ 32	φ 45	φ 6.5	φ 12.7	M4
500	75	24	60	φ 68	φ 34	φ 55	φ 8.5	φ 25.4	M4

### Technical Specifications

<b>Specifications:</b>		
capacity	N • M	1NM-500NM
combined error	%FS	0.5
rated output	mV/V	1.0~2.0± 0.04
excitation voltage	Vdc	5 ~ 12
zero unbalance	mV/V	± 1
creep	%FS/30min	± 0.05
temperature coefficient of SPAN	%FS/10°C	± 0.03
temperature coefficient of ZERO	%FS/10°C	± 0.03
input resistance	Ω	380 ± 20
output resistance	Ω	350 ± 2
insulation resistance	M Ω	≥5000 @ 50 Vdc

## QY Electronic Co Ltd

Address: No. 1032, Xinghan Road, Hantai District, Hanzhong, Shaanxi, China (Mainland)

Website: [www.qysensor.com](http://www.qysensor.com)

TEL: +86-(0)916-2257989

E-mail: [info@qysensor.com](mailto:info@qysensor.com)

Zip: 723000

operating temperature range	℃	-35 ~ +75
compensated temperature range	℃	-20 ~ +60
environment protection		IP65
safe overload	%FS	150
ultimate overload	%FS	200

### Electrical connection:

- Excitation+ red    Excitation- black    Signal+ green    Signal- white
- Four-core shielded cable with polyethylene; shielding wire is not connected with elastomer.
- Cable length: 5m

The cable length could be chose by customer's application.