

QMT-803 Torque Sensor



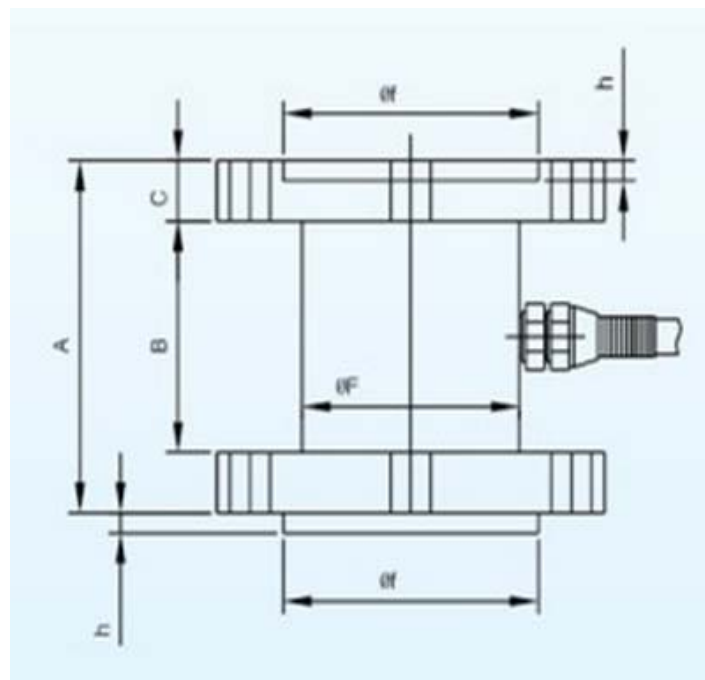
Model: QMT-803

Range: 20NM-20000NM

Feature:

- ◆ Have the characteristics of high precision, good stability, long working life and high reliability.
- ◆ Easy to installation.

Dimensions: (unit: mm)



QY Electronic Co Ltd

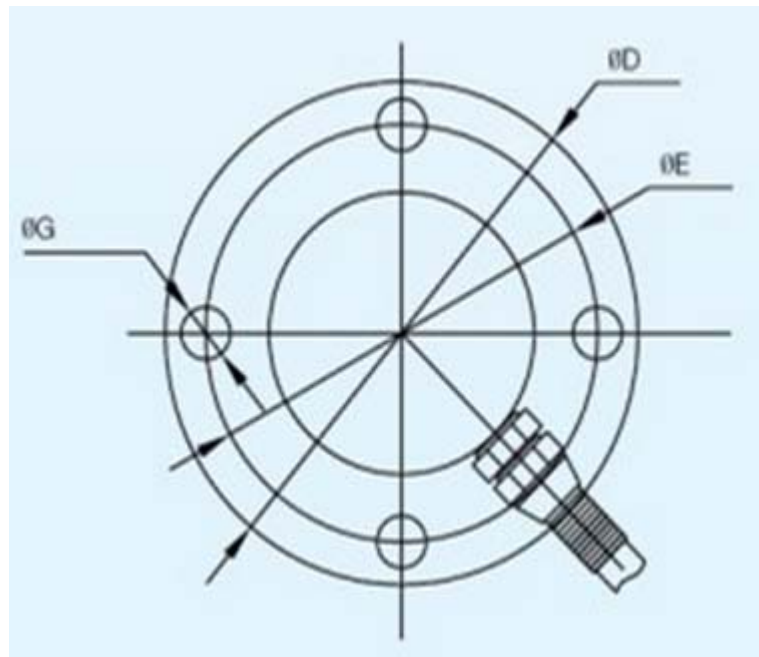
Address: No. 1032, Xinghan Road, Hantai District, Hanzhong, Shaanxi, China (Mainland)

Website: www.qysensor.com

TEL: +86-(0)916-2257989

E-mail: info@qysensor.com

Zip: 723000



Dimensions (mm)	A	B	φ C	φ D	φ E	φ F	φ G
Capacity (NM)							
20-200	70	46	12	φ 82	φ 68	φ 46	8- φ 8.5
50-200-500	60	40	10	φ 99	φ 80	φ 58	8- φ 8.5
500-20000	73	49	12	φ 146	φ 125	φ 80	16- φ 12.5

Technical Specifications

Specifications:		
capacity	N · M	20NM-20000NM
combined error	%FS	0.5
rated output	mV/V	1.0~2.0± 0.04
excitation voltage	Vdc	5 ~ 12
zero unbalance	mV/V	± 1
creep	%FS/30min	± 0.05
temperature coefficient of SPAN	%FS/10°C	± 0.03
temperature coefficient of ZERO	%FS/10°C	± 0.03
input resistance	Ω	380 ± 20
output resistance	Ω	350 ± 2
insulation resistance	M Ω	≥5000 @ 50 Vdc

QY Electronic Co Ltd

Address: No. 1032, Xinghan Road, Hantai District, Hanzhong, Shaanxi, China (Mainland)

Website: www.qysensor.com

E-mail: info@qysensor.com

TEL: +86-(0)916-2257989

Zip: 723000

operating temperature range	℃	-35 ~ +75
compensated temperature range	℃	-20 ~ +60
environment protection		IP65
safe overload	%FS	150
ultimate overload	%FS	200

Electrical connection:

- Excitation+ red Excitation- black Signal+ green Signal- white
- Four-core shielded cable with polyethylene; shielding wire is not connected with elastomer.
- Cable length: 5m

The cable length could be chose by customer's application.