



1. Characteristics:

Alloy steel or stainless steel, stable capability and good credibility.

Easy to install and adjust.

Capacity:0.5t to 75t

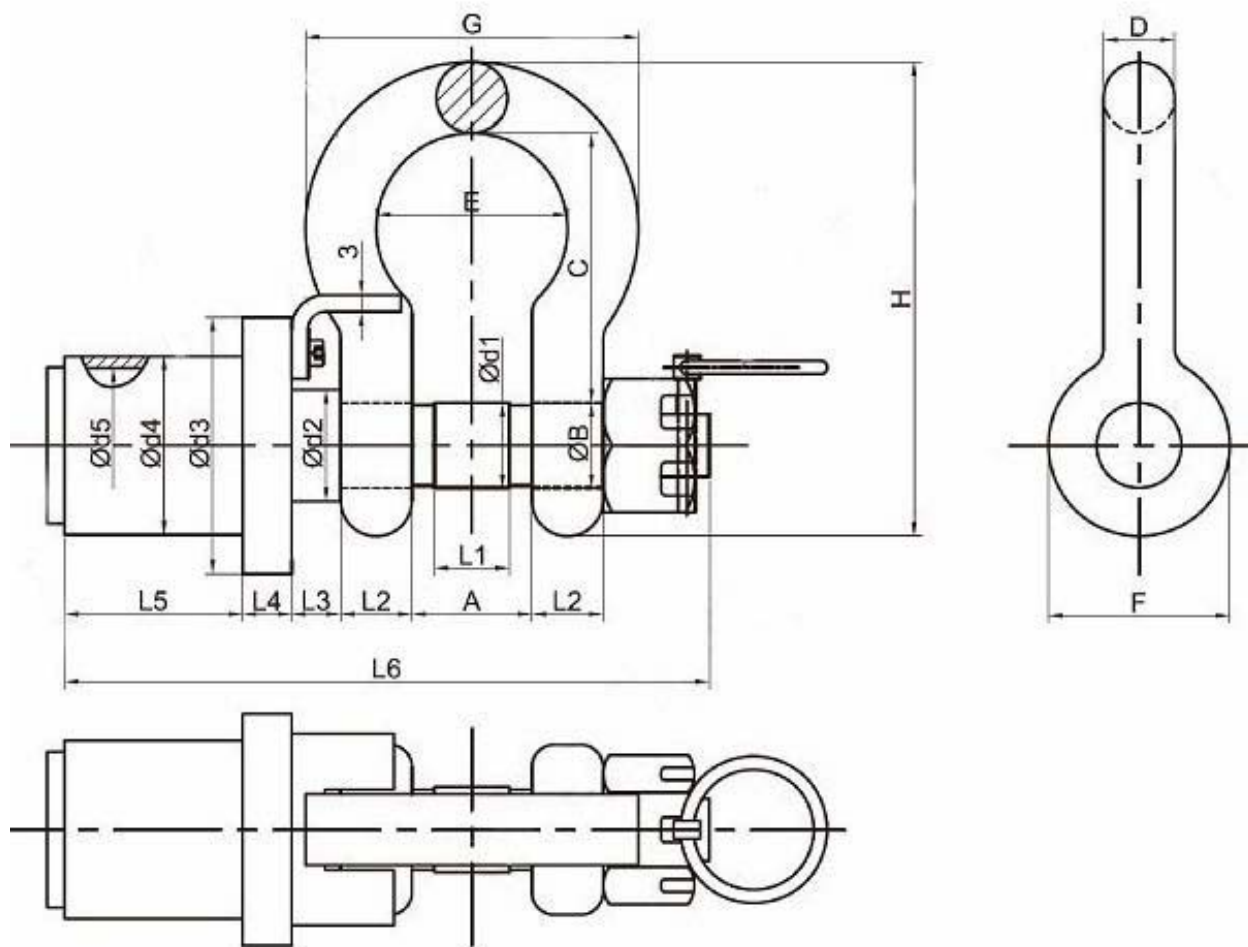
Apply to crane and overload limit weighing system.

Output select: 1mV/V,1~5Vdc,1~10Vd,4~20mA;

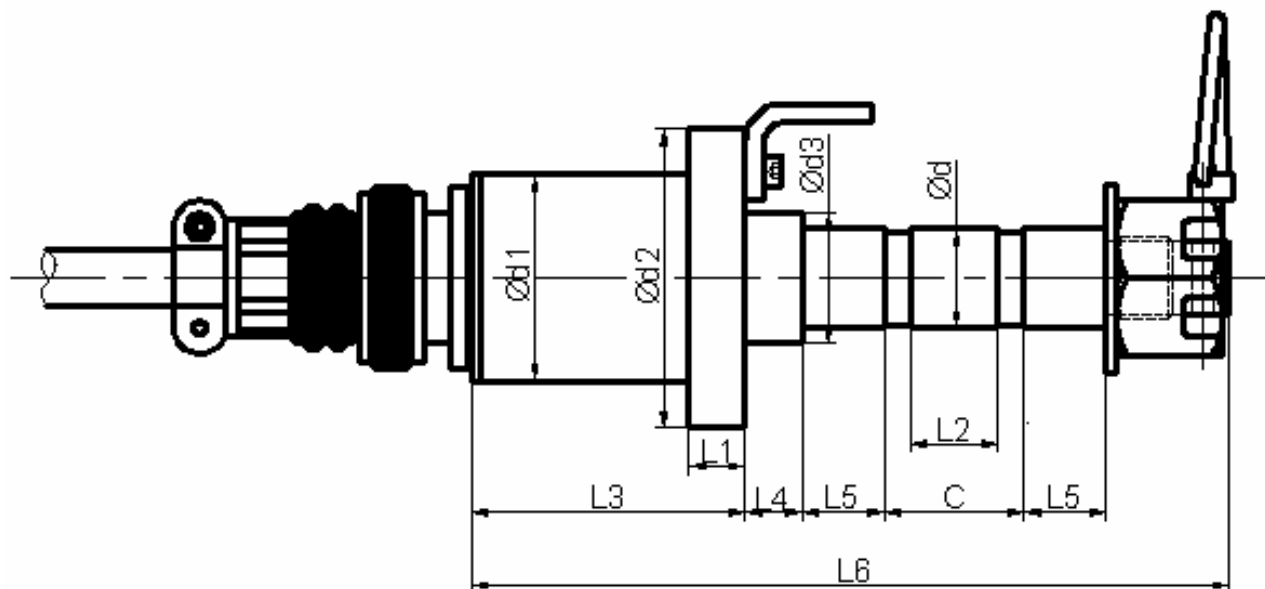
Apply to outdoor working; wireless load cell can be customized.

2. Product appearance:

1) Customized dimension:



2) Standard dimension:



capacity (l)	dimensions (mm)										
	L1	L2	L3	L4	L5	L6	Ød1	Ød2	Ød3	Ød	C
0.5	10.0	17.0	55.0	13.0	15.0	150.0	62.0	62.0	30.0	19.1	26.9
1	10.0	17.0	55.0	13.0	15.0	150.0	62.0	62.0	30.0	19.1	26.9
2	10.0	22.0	55.0	13.0	18.0	170.0	62.0	62.0	33.0	22.4	31.8
3	10.0	30.0	55.0	13.0	24.0	190.0	62.0	62.0	38.0	28.7	42.9
4	10.0	32.0	55.0	13.0	27.0	205.0	62.0	68.0	42.0	31.8	46.0
5	10.0	32.0	55.0	13.0	27.0	205.0	62.0	68.0	42.0	31.8	46.0
6.5	10.0	42.0	55.0	13.0	33.0	225.0	62.0	78.0	49.0	38.1	57.0
10	10.0	57.0	55.0	13.0	42.0	265.0	62.0	99.0	63.0	51.0	73.0
15	10.0	57.0	55.0	13.0	42.0	265.0	62.0	99.0	63.0	51.0	73.0
25	10.0	85.0	55.0	15.0	64.0	355.0	75.0	118.0	83.0	70.0	105.0
50	10.0	110.0	55.0	15.0	89.0	435.0	88.0	178.0	109.0	95.5	133.0
75	10.0	115.0	55.0	15.0	101.0	465.0	88.0	188.0	123.0	108.0	140.0

3. Parameters:

rate capacity	t	0.5-75	
sensitivity	mV/V、Vdc、mA	1mV/V、1~5Vdc、1~10Vdc、 4~20mA	
accuracy	%FS	±0.5	±1
non-linearity	%FS	±0.5	±1
hysteresis	%FS	±0.5	±1
repeatability	%FS	±0.3	±0.5
creep	%FS/30min	±0.1	±0.2
temperature coefficient of ZERO	%FS/10℃	±0.05	±0.05
temperature coefficient of SPAN	%FS/10℃	±0.05	±0.1
zero output	%FS	±1	
safe load	%FS	150	
output resistance	Ω	352±3	
input resistance	Ω	390±20	
insulation resistance	MΩ	≥5000 (50VDC)	
excitation voltage	V	10(DC)	
max.excitation voltage	V	15(DC)	
compensated temperature range	℃	-10~+40	
operating temperature range	℃	-20~+60	
sealed grade	IP	67、68	
wire connection	4-core cable-Φ 6mm-12m- output mV/V: Excitation + red, signal + green, shield: purple Excitation- black, signal- white		