

QH-22 load cells are available in the capacities from 0.5t to 5t.

Alloy steel & stainless steel construction with single shear beam type.

Sealed welding ,waterproof, anti-corrosion and suitable for all kinds of environment.

Integral structure and easy installation.

Suitable for electronic platform scales, truck scale, floor scale , hopper scale and other electronic weighing devices.



### Features:

Capacity : 0.5t of 5t

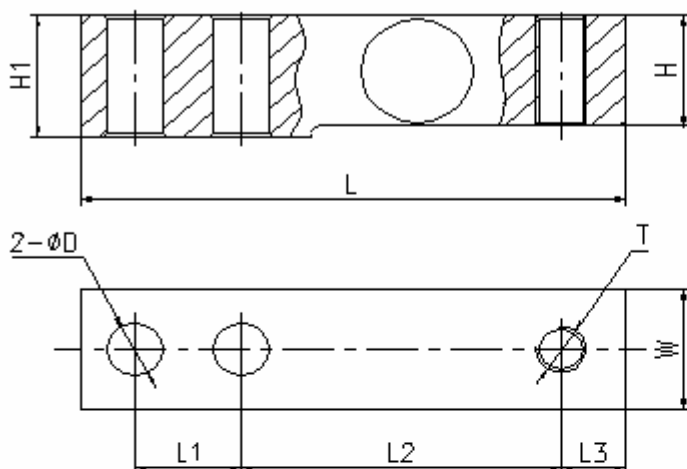
Defend grade: IP67 & IP68

High accuracy.

Alloy steel & stainless steel single shear beam

Low profile and nice exterior

### Electrical connection and Dimensions:



Rated load	Dimension (mm)								
	L	L1	L2	L3	W	H	H1	D	T
1t	130	25.4	76.2	15.4	31.7	28	31.7	13.5	M12X1.75
5t	171.5	38.1	95.3	19.1	38.1	36	38.1	19.8	M20X2.5

**Technical Specifications**

<b>Specifications:</b>		
capacity	t	0.5, 1, 2, 2.5, 5,
safe overload	%FS	150
ultimate overload	%FS	200
rated output	mV/V	3.0 ± 0.003
excitation voltage	Vdc	9 ~ 12
combined error	%FS	± 0.02      ±0.03
zero unbalance	%FS	± 2
non-linearity	%FS	± 0.02
hysteresis	%FS	± 0.02
repeatability	%FS	± 0.01
creep	%FS/30min	± 0.02
input resistance	Ω	350± 5
output resistance	Ω	350 ± 3
insulation resistance	M Ω	≥ 5000 @ 50 Vdc
operating temperature range	℃	-20 ~ +55
compensated temperature range	℃	-10 ~ +40
temperature coefficient of SPAN	%FS/10℃	± 0.02
temperature coefficient of ZERO	%FS/10℃	± 0.03

**Electrical connection:**

Excitation+ red    Excitation- black    Signal+ green    Signal- white

Four-core shielded cable with polyethylene. Cable is not connected with elastomer.

Cable length: 3 m

Cable diameter : 5 ±0.2 mm

The cable length could be chose by customer's application.