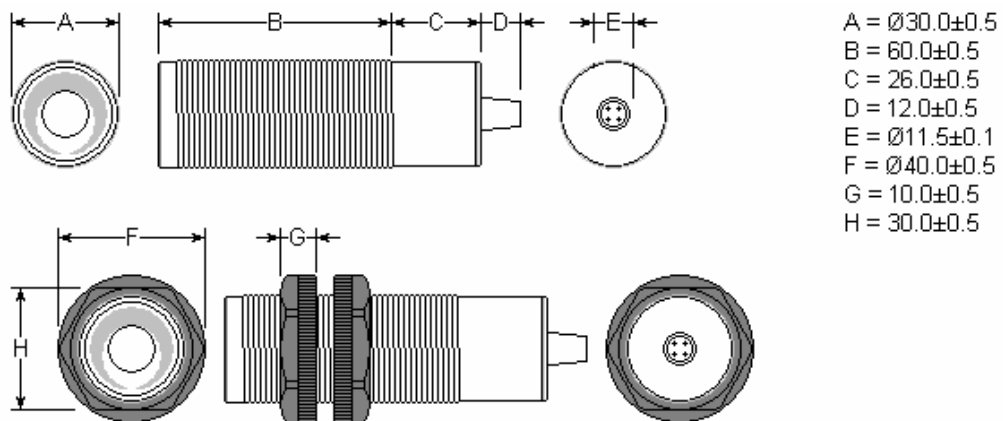


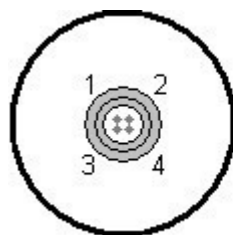
QU-04 Ultrasonic Sensor



1. Outline Dimensions (Unit: mm)



2. Connecting Method



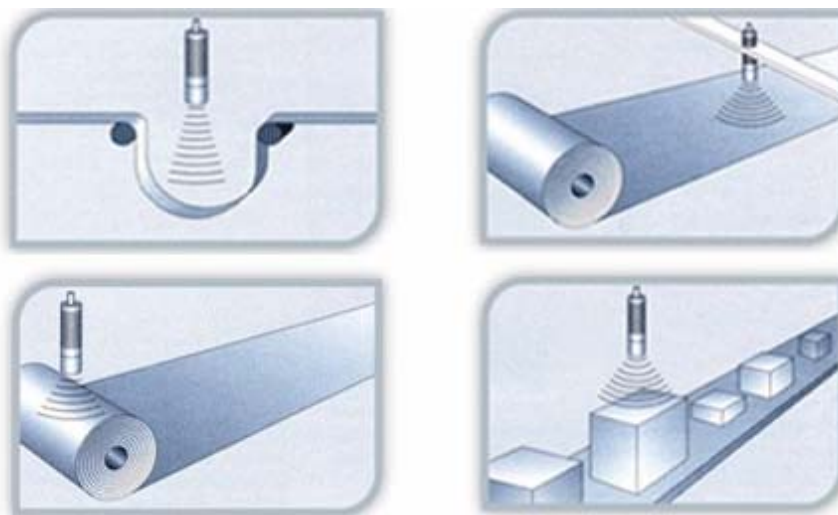
1. Brown: 24V (+)
2. Black: 0V (-)
3. White: GND
4. Blue: Output signal

3. Characteristic

Center frequency	40KHz
Max. sensing distance	4m
Min. target sensing distance	0.2m
Standard test board	200x200mm
Supply voltage	24VDC
output	0~5V/ customized
Beam angle (°)	30
Material	ABS
Storage temperature	-40°C~+70°C
Connection types	Connector V1
Operating temperature	-20 ~+60 °C
Protection class	IP 65

4. Installations

Due to the directivity of the sensor, We should pay attention to the installation. The best Installations are bellowing:



5. Notes

- 1: Precision instrument, please don't scratched the surface.
- 2: Do not use in strong acid and strong alkaline conditions.
- 3: Shall not be opened.
- 4: Cannot be used in the vacuum area or explosion-proof areas.

The interpretation is owned by us. If you have any questions, please feel free to contact us.

QY Electronic Co Ltd

Address: No. 1032, Xinghan Road, Hantai District, Hanzhong, Shaanxi, China (Mainland)

Website: www.qysensor.com

TEL: +86-(0)916-2257989

E-mail: info@qysensor.com

Zip: 723000