

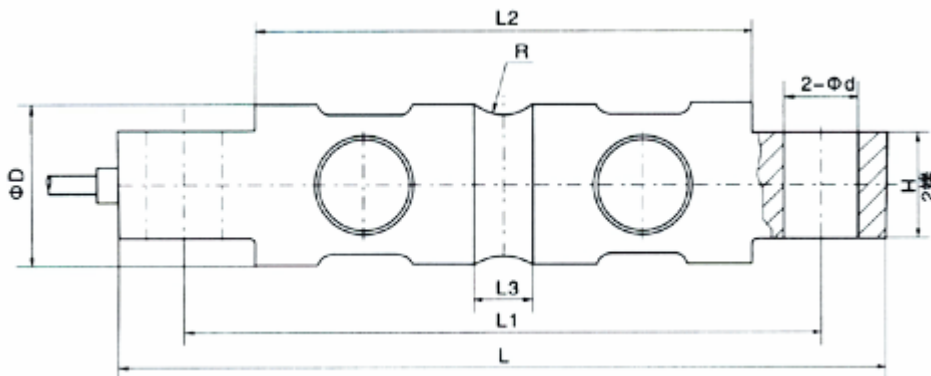
QH-45B load cells are available in the capacities from 10klb to 75klb,  
 Alloy steel construction with double shear beam type,  
 Silicon adhesive sealed inside, waterproof and anti-corrosion,suitable for multiform environments  
 Integral structure and easy installation.  
 Suitable for electronic truck scales, railway scales and other electronic weighing devices.



### Features:

- Capacity: 10klb to 75klb
- Defend grade:IP66 & IP68
- High accuracy.
- Alloy steel construction
- Integral structure, reliable performance, and easy installation.

### Electrical connection and Dimensions:



量程(klb)	L	L1	L2	L3	D	d	H	R
<b>10</b>	206.2 (8.12)	174.6 (6.88)	133.1 (5.24)	15.7 (0.62)	φ43.2 (1.7)	φ16.7 (0.66)	28.4 (1.12)	R12.7 (0.5)
<b>20</b>	206.2 (8.12)	174.6 (6.88)	133.1 (5.24)	21.6 (0.84)	φ49.5 (1.95)	φ16.7 (0.66)	28.4 (1.12)	R12.7 (0.5)
<b>30~75</b>	260.4 (10.25)	215.9 (8.5)	165.1 (6.5)	25.4 (1.0)	φ76.2 (3.0)	φ26.9 (1.06)	60.2 (2.37)	R25.4 (1.0)

### Technical Specifications

Specifications:		
Capacity(Emax)	klb	10,20,30,40,50,60,75
Rated output	mV/V	3.0±0.008
Accuracy class		C3
Maximum number of verification intervals	nmax	3000
Minimum load cell verification intervals	Vmin	Emax/10000
Combined error	%FS	≤±0.02
Creep	%FS/30min	≤±0.016
Temperature coefficient of SPAN	%FS/10°C	≤±0.011
Temperature coefficient of ZERO	%FS/10°C	≤±0.015
Input resistance	Ω	700 ± 7
Output resistance	Ω	703 ± 4
Zero unbalance	%FS	≤± 1
Compensated temperature range	°C	-10 ~ +40
Operating temperature range	°C	-35 ~ +70
Recommended excitation voltage	Vdc	5~ 12
Maximum excitation voltage	Vdc	18
Safe overload	%FS	150
Ultimate overload	%FS	300

### Electrical connection:

Excitation+ red    Excitation- black    Signal+ green    Signal- white

Four-core shielded cable with polyethylene. Cable is not connected with elastomer.

Cable length: 9 m

Cable diameter : 5 ±0.2 mm , 8mm ± 0.2 mm

The cable length could be chose by customer's application.