

QZP-Z2 Media isolated digital pressure gauge

The QZP-Z2 Series media isolated digital pressure gauge offers the accuracy of a solid state sensor that result from its proprietary ASIC design. Its construction incorporates a micro-machined silicon pressure sensor (MEMS) isolated from the media by a stainless steel diaphragm. With no moving parts, a long life is assured.

The large, 18mm (0.71") high LCD digital display eliminates the guesswork that occurs when taking readings with an analog dial gauge. Zeroing the display is conveniently done with the push of a button. Pressure readings are displayed continuously for 1-5 minutes (optional), when auto shut-off occurs, conserving battery life.



Feature:

- ◆ Large 4-digit LCD display 18mm(0.71") high
- ◆ 0.25%FS full scale accuracy
- ◆ 9V battery included
- ◆ User-selectable 0 or 15 minute auto-off
- ◆ User-selectable engineering units: psi, bar, kg/cm², or kPa
- ◆ User-selectable peak and hold or continuous reading
- ◆ Compatible with most corrosive medium

QY Electronic Co Ltd

Address: No. 1032, Xinghan Road, Hantai District, Hanzhong, Shaanxi, China (Mainland)

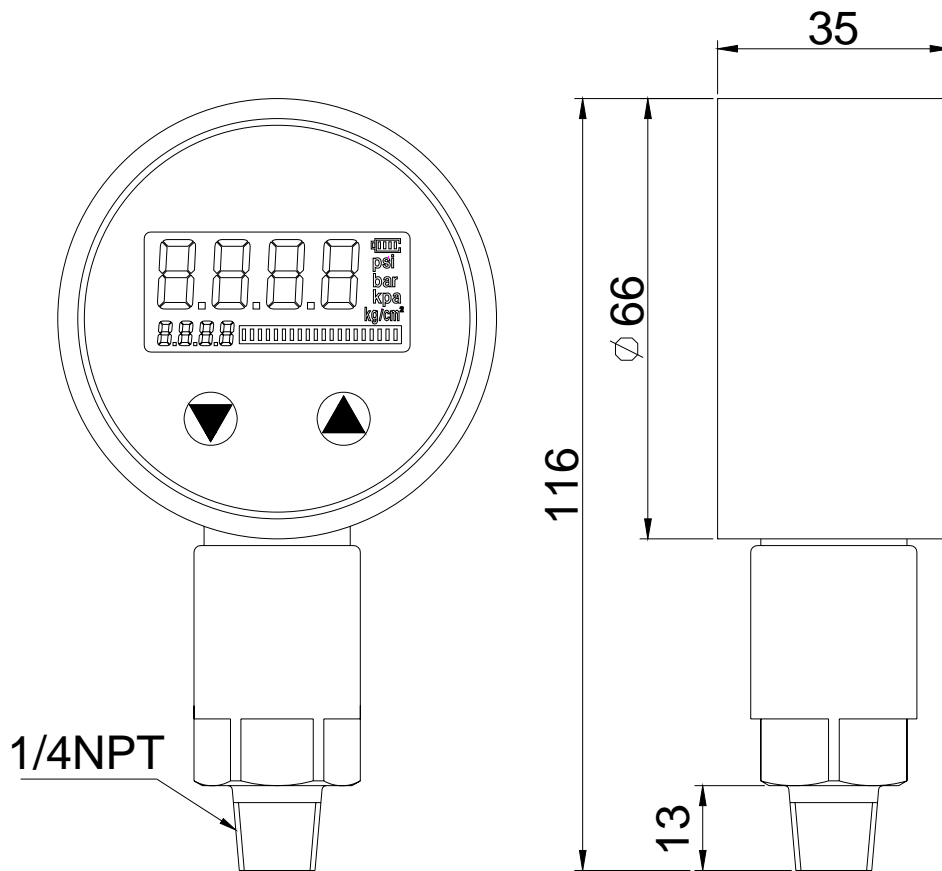
Website: www.qysensor.com

TEL: +86-(0)916-2257989

E-mail: info@qysensor.com

Zip: 723000

Dimensions: (unit: mm)



Technical Specifications

Measuring compatible	All corrosive medium compatible with 316LSS
Pressure range	-15,5,15,30,100,300,500,1000,3000...10000 psi
Accuracy	0.25%FS
Operating temp.	-1~+49 °C(30~120F)
Proof pressure	200%FS
Burst pressure	300%FS
Pressure connection	1/4-18NPTM(Customized)
Battery	9V(Alkaline battery)
Battery life	2 years in power-saving mode
Case dimension	67D×116mmH
Case material	ABS
Wetted parts	316LSS

QY Electronic Co Ltd

Address: No. 1032, Xinghan Road, Hantai District, Hanzhong, Shaanxi, China (Mainland)

Website: www.qysensor.com

E-mail: info@qysensor.com

TEL: +86-(0)916-2257989

Zip: 723000