

QP-83C Pressure Transmitter



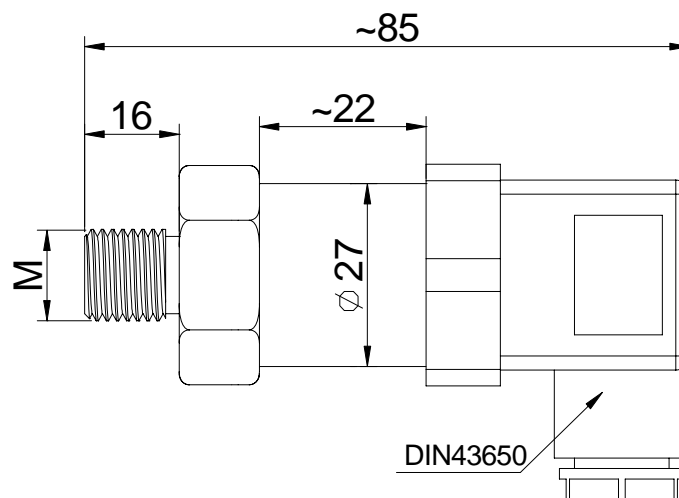
Model: QP-83C

Range: 0~0.5MPa, 0~0.6MPa, 0~1MPa, 0~1.6MPa, 0~2MPa

Feature:

- ◆ It has a strong corrosion resistance
- ◆ Good stability
- ◆ Integral structure, easy installation
- ◆ Be suitable for a wide range of using
- ◆ The range of medium temperature: $-20^{\circ}\text{C}\sim 100^{\circ}\text{C}$
- ◆ The range of high temperature: $-30^{\circ}\text{C}\sim 150^{\circ}\text{C}$ (Customized)
- ◆ Adopting high precision components, it's will to work in the harsh environment.

Dimensions: (unit: mm)



QY Electronic Co Ltd

Address: No. 1032, Xinghan Road, Hantai District, Hanzhong, Shaanxi, China (Mainland)

Website: www.qysensor.com

TEL: +86-(0)916-2257989

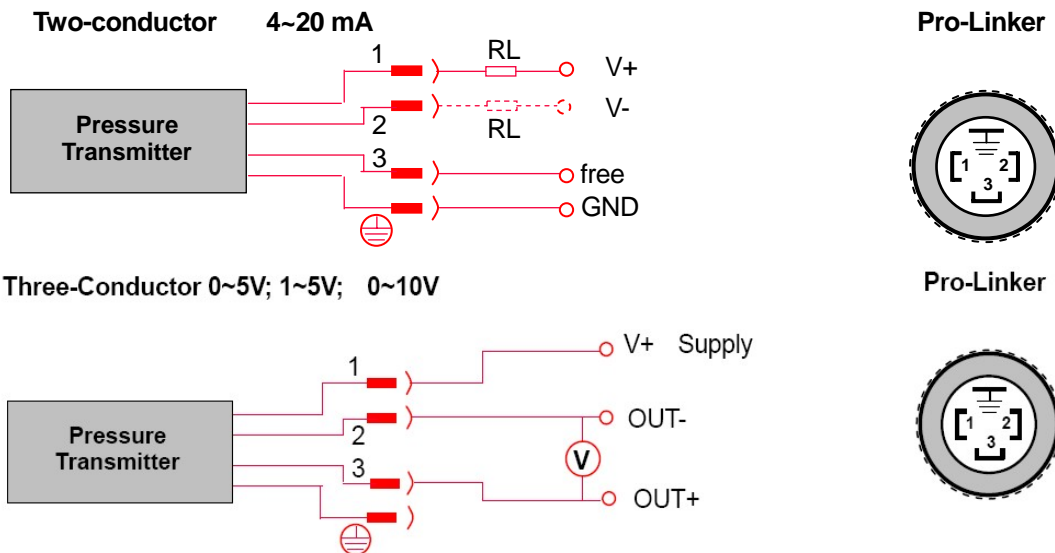
E-mail: info@qysensor.com

Zip: 723000

Technical Specifications

Measuring media	Gases or liquids which are compatible to 316L stainless steel	
Measuring range	0~0.5MPa, 0~0.6MPa, 0~1MPa, 0~1.6MPa, 0~2MPa	
Pressure type	Gage pressure	
Signal output	transmitter, mA (2 wires)	4~20mA
	transmitter, Vdc (3 wires)	0~5V, 0~10V, 1~5V, 0~20mA
Combined accuracy	%FS	±0.5(Standard), ±1 (Max)
Long stability	≤±0.2%FS/year	
Power supply	Vdc	12~36 (Standard 24Vdc)
Compensated temp.	°C	-10~+60
Operating temp.	°C	-20~100
Temperature coefficient of ZERO	%FS/10°C	≤±0.3
Temperature coefficient of SPAN	%FS/10°C	≤±0.3
Insulation resistance	MΩ	>500 @ 100Vdc
Electrical connection	DIN43650	
Material	Stainless steel	
Pressure connection	G 1/4, ZG1/4, M20×1.5, M14×1.5 (Customized)	
Environment protection	IP	65
Safe overload	%FS	150
Ultimate overload	%FS	200

Electrical connection:



※**Ordering code:** model- range&type-signal output-accuracy-pressure connection-electrical connection-defend grade-the other requests.

Example: QP-83C-0/16MPaG-4/20mA-0.5%FS-G1/4-DIN43650-IP65-***